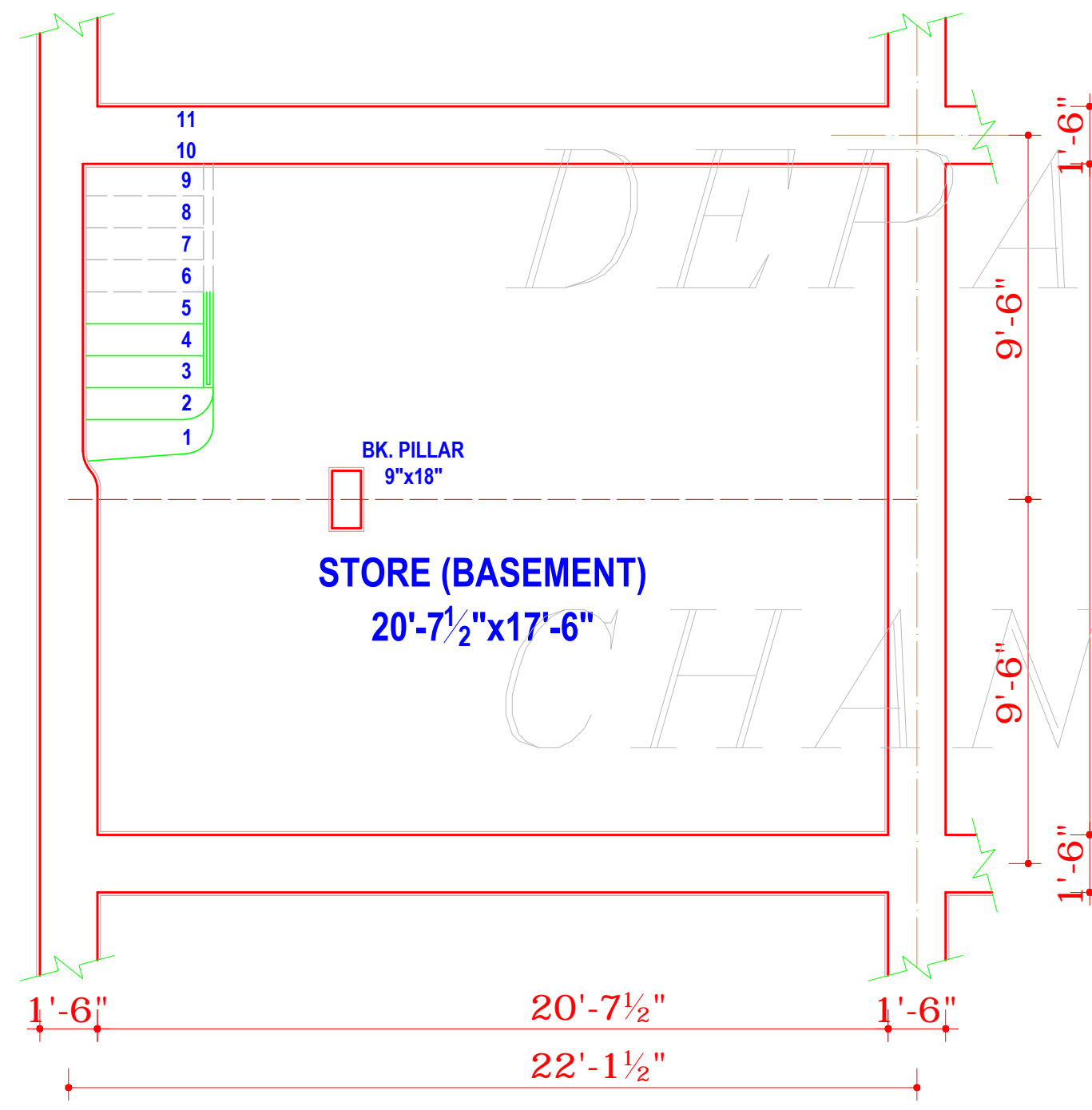
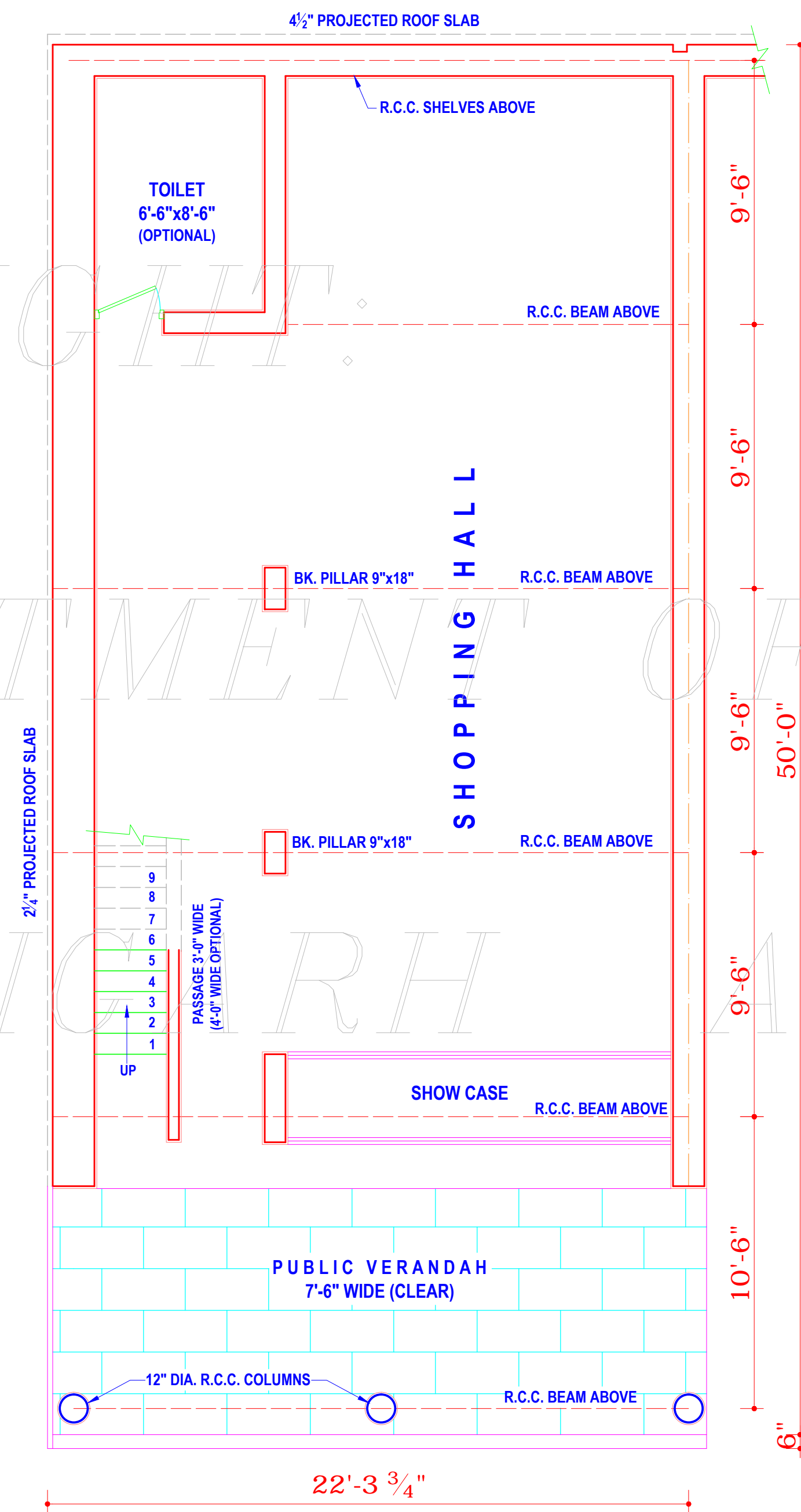


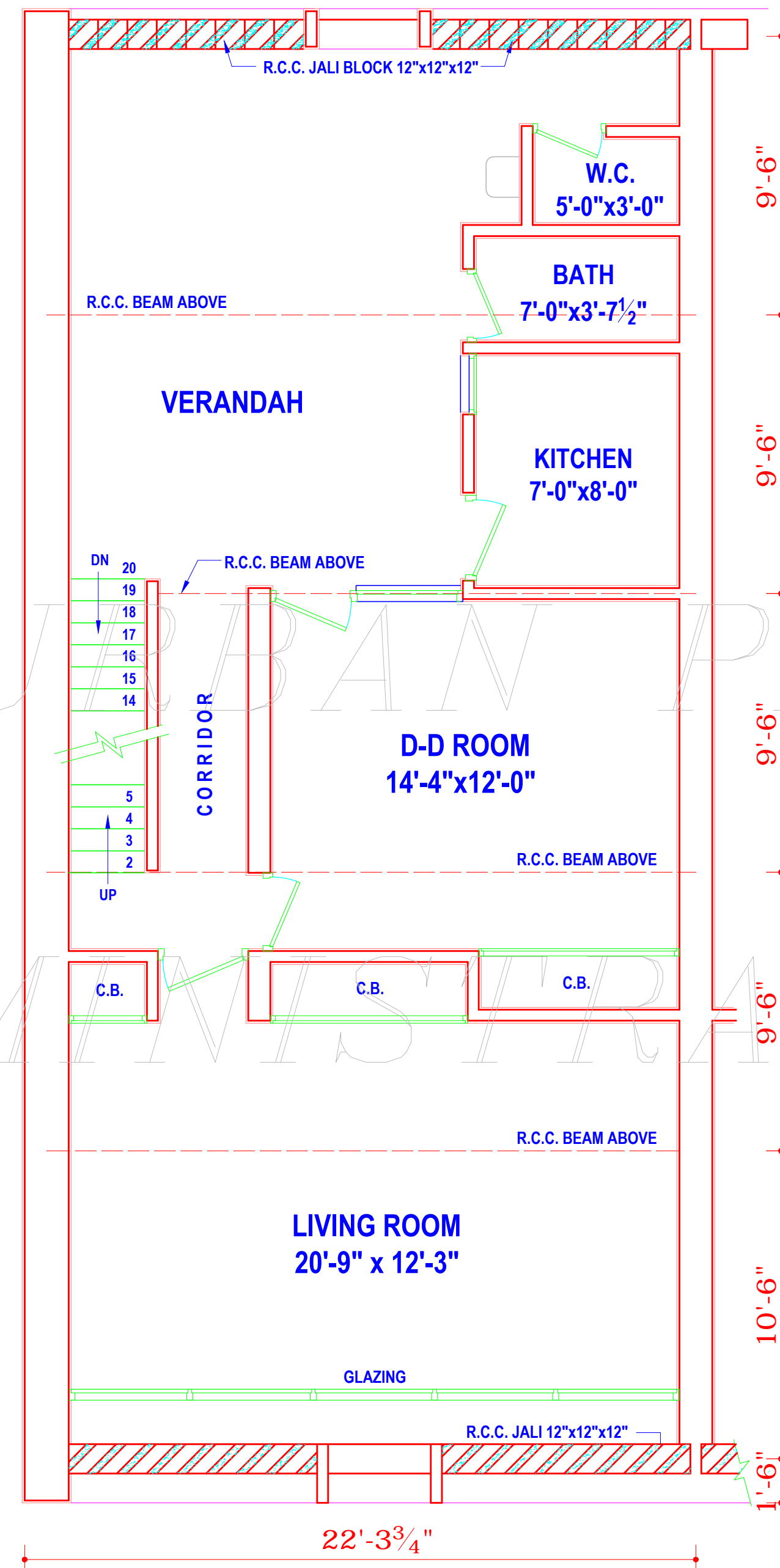
NOTE :- BASEMENT MAY BE ADJUSTABLE AT SITE WHERE DEPRESSION PERMITS.



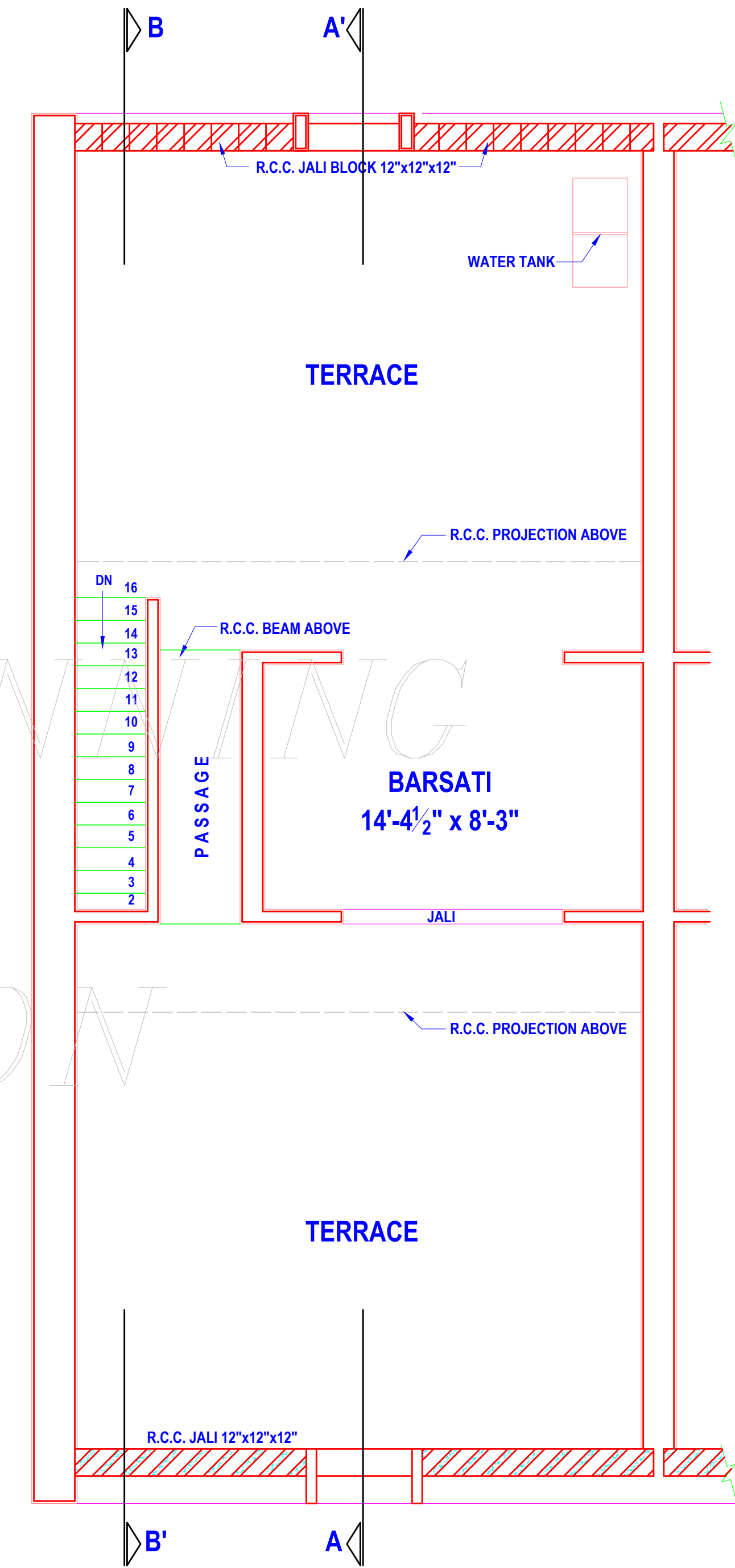
BASEMENT FLOOR PLAN OPTIONAL



GROUND FLOOR PLAN



FIRST FLOOR PLAN



BARSATI FLOOR PLAN

DISCLAIMER:-

THOUGH EVERY CARE HAS BEEN TAKEN TO PROVIDE THE CORRECT VERSION OF THE ARCHITECTURAL CONTROL ON THIS DIGITIZED (PDF) FORMAT, YET IN CASE OF ANY DISCREPANCY, THE MASTER COPY OF THE ARCHITECTURAL CONTROL APPLICABLE ON EACH SUCH SITE, AS AVAILABLE IN THE COMMERCIAL RECORD OF THE OFFICE OF CHIEF ARCHITECT OR HER/HIS INTERPRETATION WILL OVERRULE THE DIGITIZED FORMAT.

CHIEF ADMINISTRATOR

ARCHITECT

CHIEF ARCHITECT

NOTE :- REVISED ON 19.10.63 K.L.

SCALE : 4 FT. TO AN INCH DATE -

DRAWN - K.L. CHECKED -

JOB NO.-358 DRG. NO. 1

TWO BAY S.C.F. SECTOR-16 D PLANS