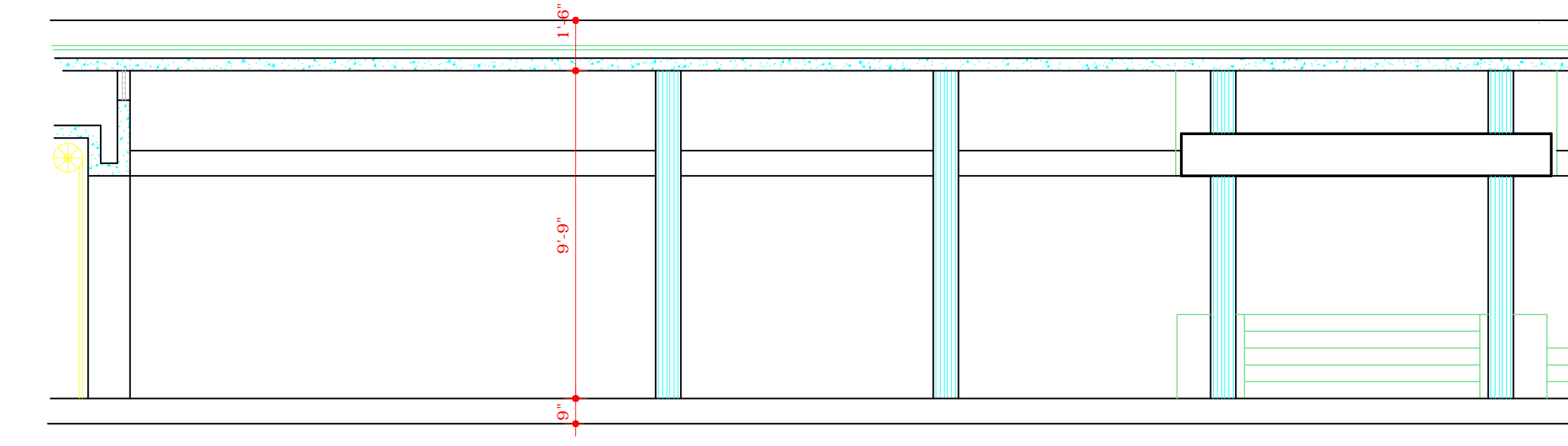
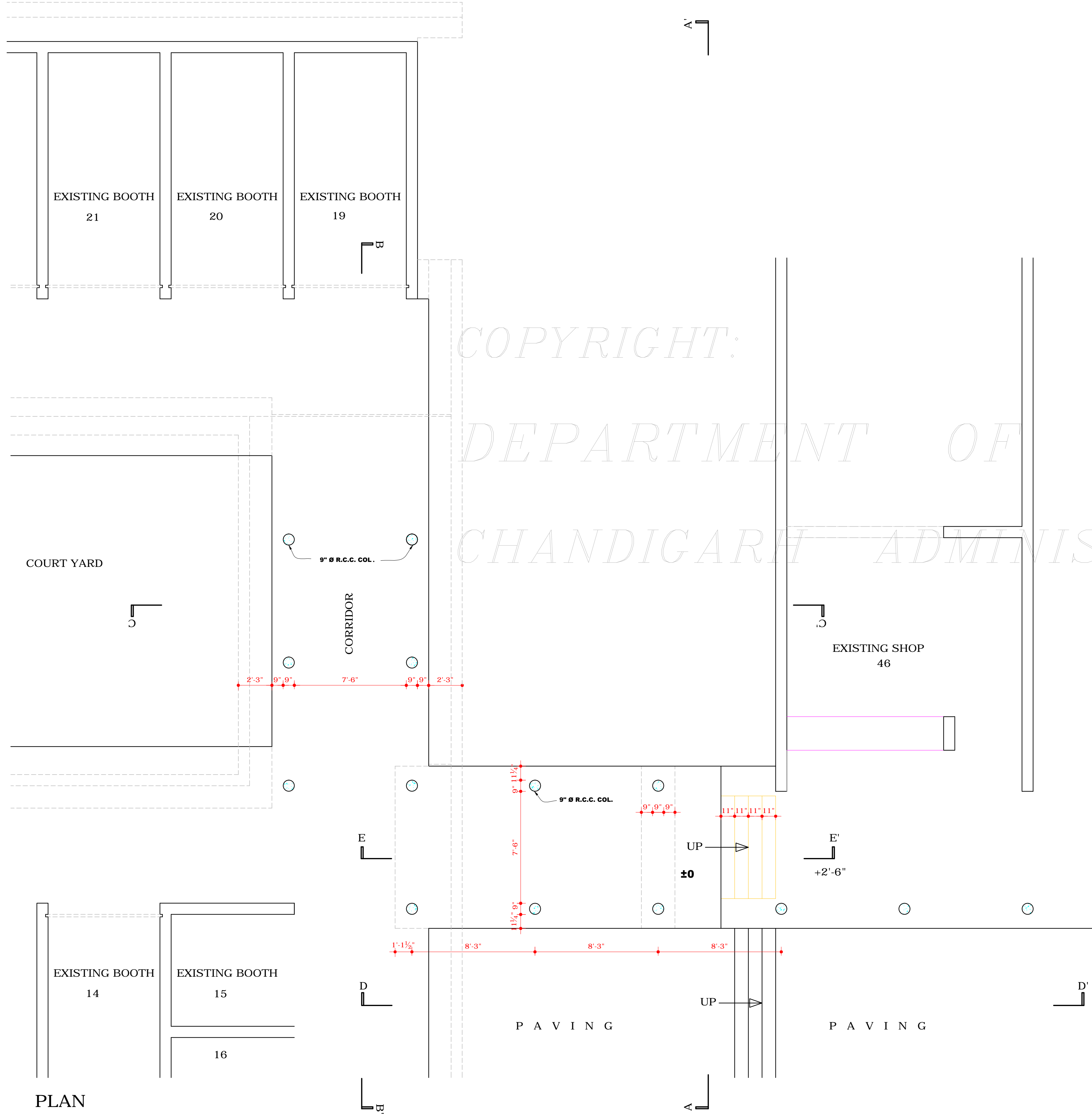


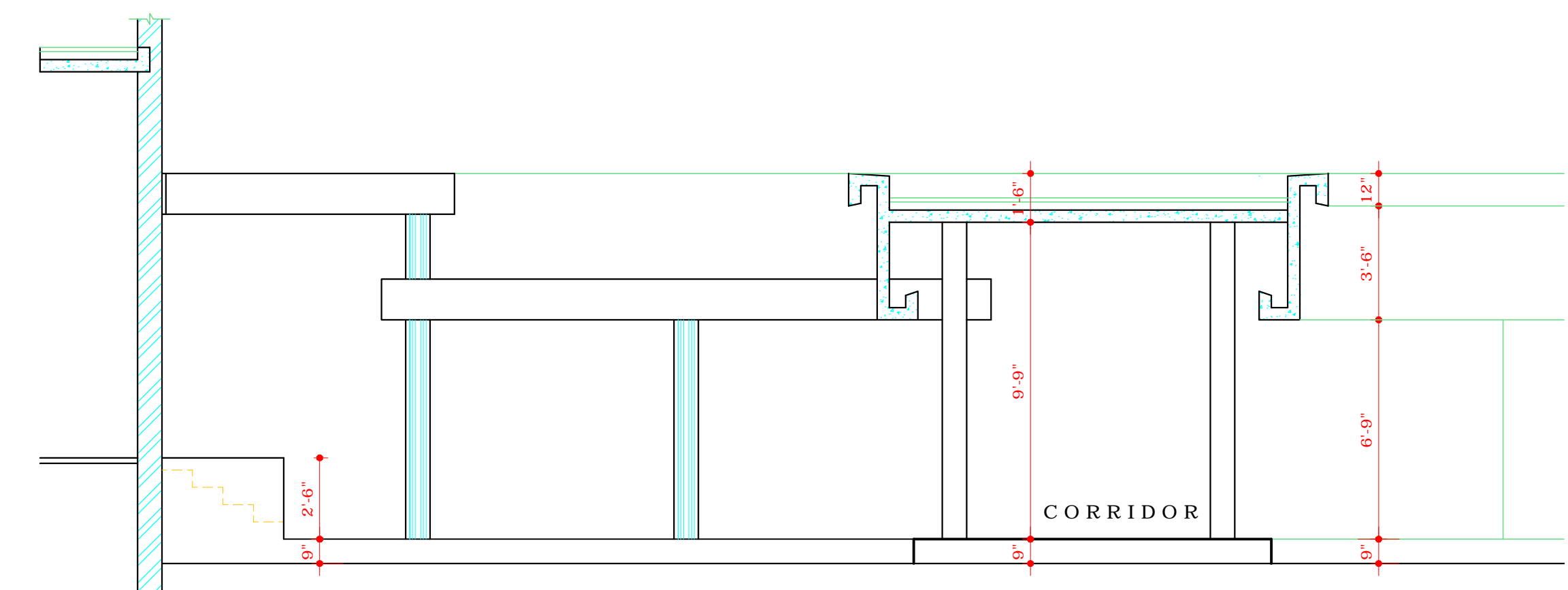
SECTIONAL ELEVATION AT A-A'



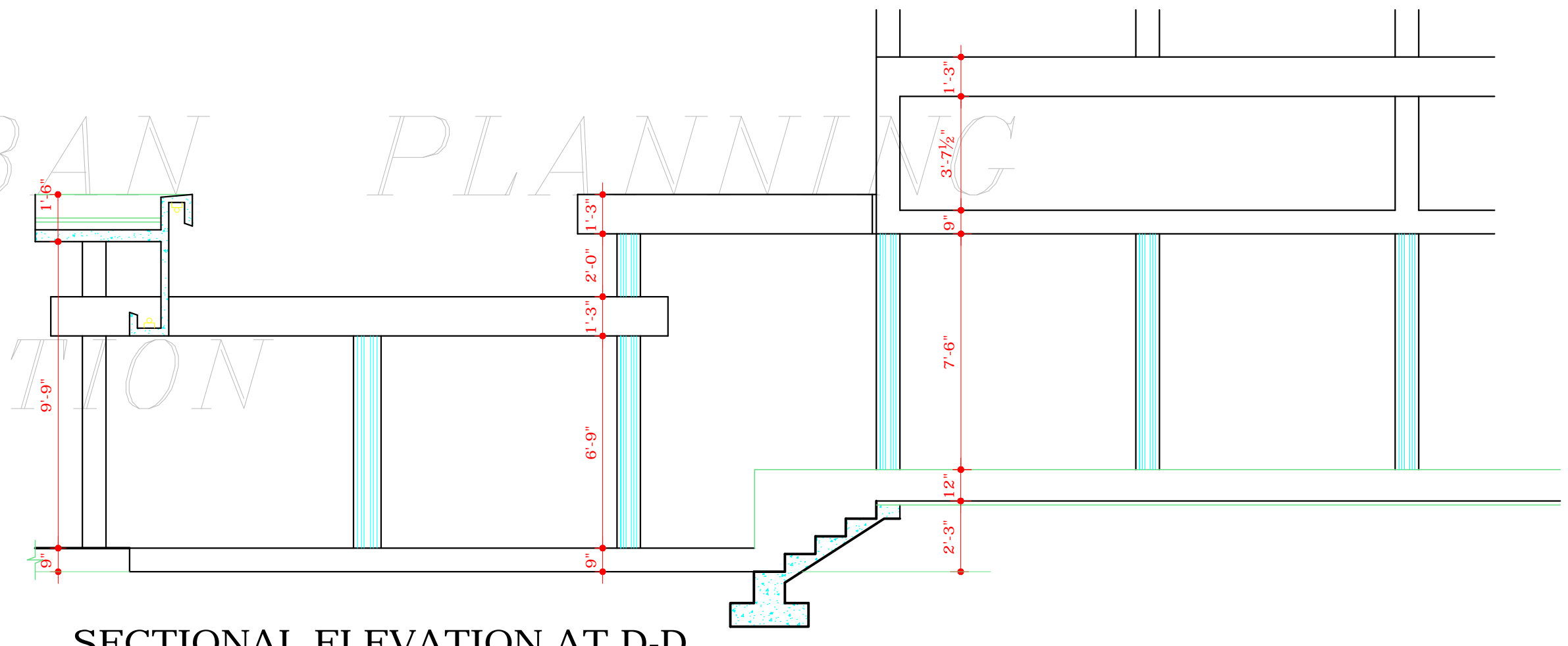
SECTION AT B-B'



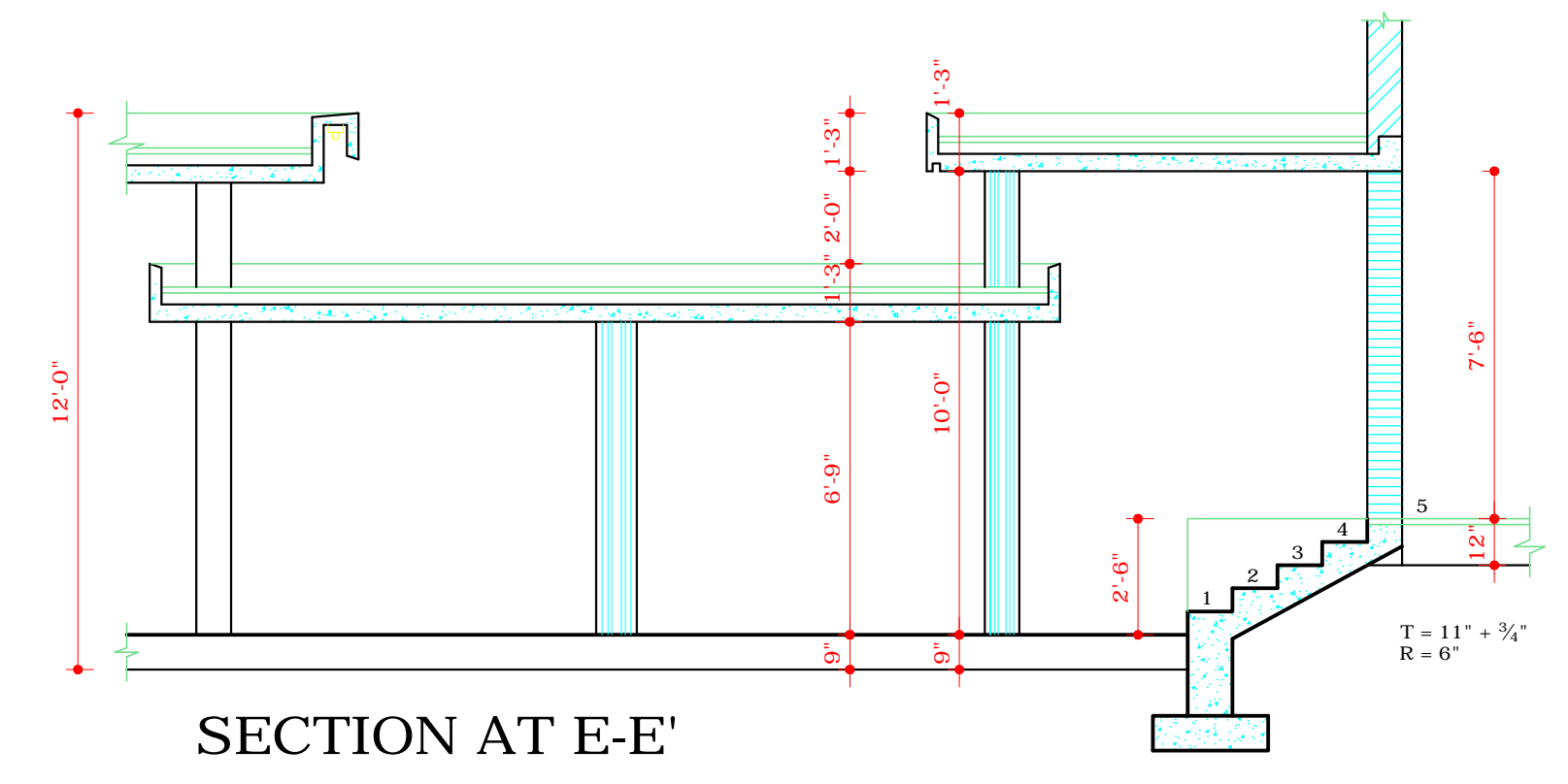
PLAN



SECTIONAL ELEVATION AT C-C'



SECTIONAL ELEVATION AT D-D'



SECTION AT E-E'

DISCLAIMER

THOUGH EVERY CARE HAS BEEN TAKEN TO PROVIDE THE CORRECT VERSION OF THE ARCHITECTURAL CONTROL ON THIS DIGITIZED (PDF) FORMAT, YET IN CASE OF ANY DISCREPANCY, THE MASTER COPY OF THE ARCHITECTURAL CONTROL APPLICABLE ON EACH SUCH SITE, AS AVAILABLE IN THE COMMERCIAL RECORD OF THE OFFICE OF CHIEF ARCHITECT OR HER/HIS INTERPRETATION WILL OVERRULE THE DIGITIZED FORMAT.

S.No. NOTES.

1. THIS DRG. IS THE PROPERTY OF THE DEPTT. OF ARCHITECTURE U.T. CHD. AND MUST NOT BE ALTERED COPIED OR USED IN WHOLE OR IN PART WITHOUT THE PERMISSION OF THIS DEPTT. IN WRITING.

NOTE:- THIS DRAWING IS THE COMPUTERISED REPRODUCTION OF ORIGINAL DRG. No. 3 JOB No. 318 DATED- 08-04-09

S.No. DESCRIPTION DATE SIGN.

REVISIONS

Sd/- 22.12.80 CHIEF ARCHITECT.	Sd/- V.P. ARORA 17.12.1980 SENIOR ARCHITECT.
Sd/- J.N. SETH 11.12.80 ARCHITECT.	Sd/- S.S. VIRDI 8.12.80 ASSTT. ARCHITECT.

OFFICE OF THE CHIEF ARCHITECT U.T. CHANDIGARH

SCALE - 4 FEET TO AN INCH DATE - 25.11.80

S.D. SHARMA DEALT BY	DRG. No. 3	JOB No. 318
CHECKED BY		

BOOTHS IN SECTOR -18 -D
DETAILS OF LINK - PASSAGE

PLAN, ELEVATIONS & SECTIONS