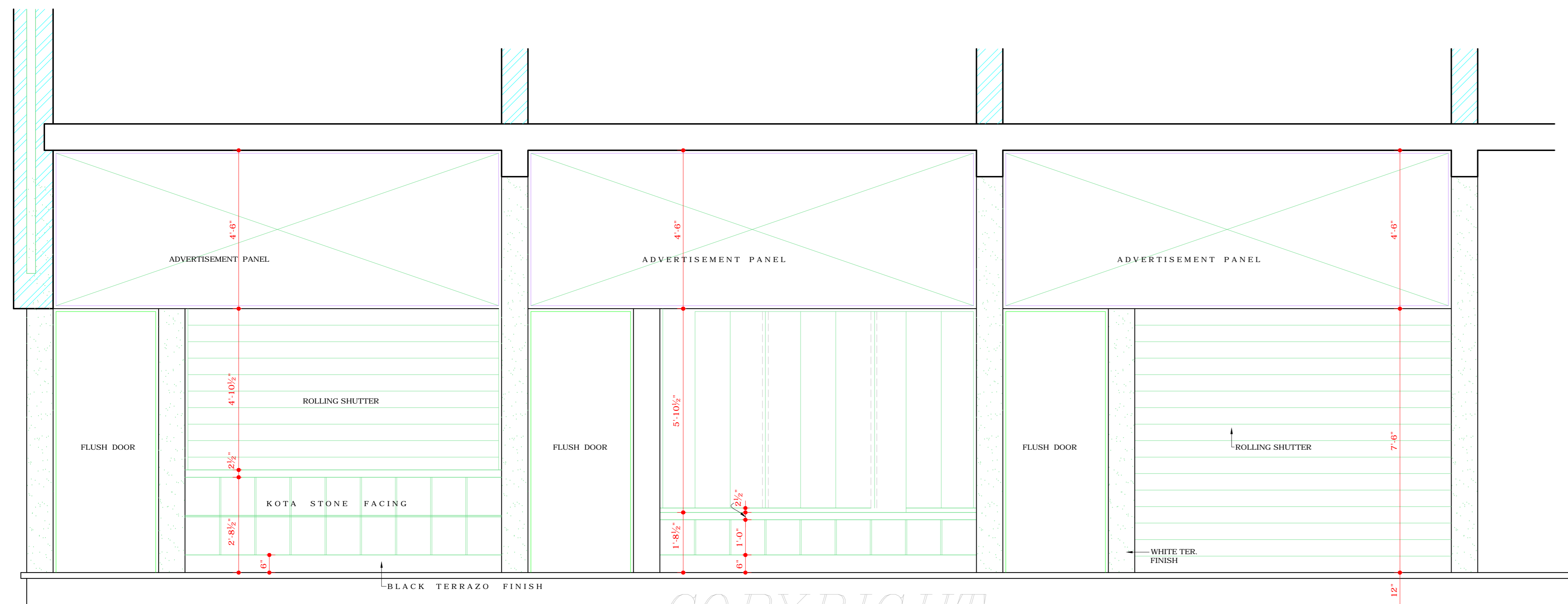


DEPARTMENT OF ARCHITECTURE

THIS DRG. IS THE PROPERTY OF THE DEPTT. OF ARCHITECTURE CHANDIGARH U.T. AND FORMERLY THE GOVT. OF PUNJAB AND MUST NOT BE ALTERED, COPIED OR USED IN WHOLE OR IN PART WITHOUT THE PERMISSION OF THIS DEPTT. IN WRITING.
 THIS DRG. IS ACTUALLY TRACED FROM DRG. No. 10 OF JOB No. 220 ON DATED 2.4.73.

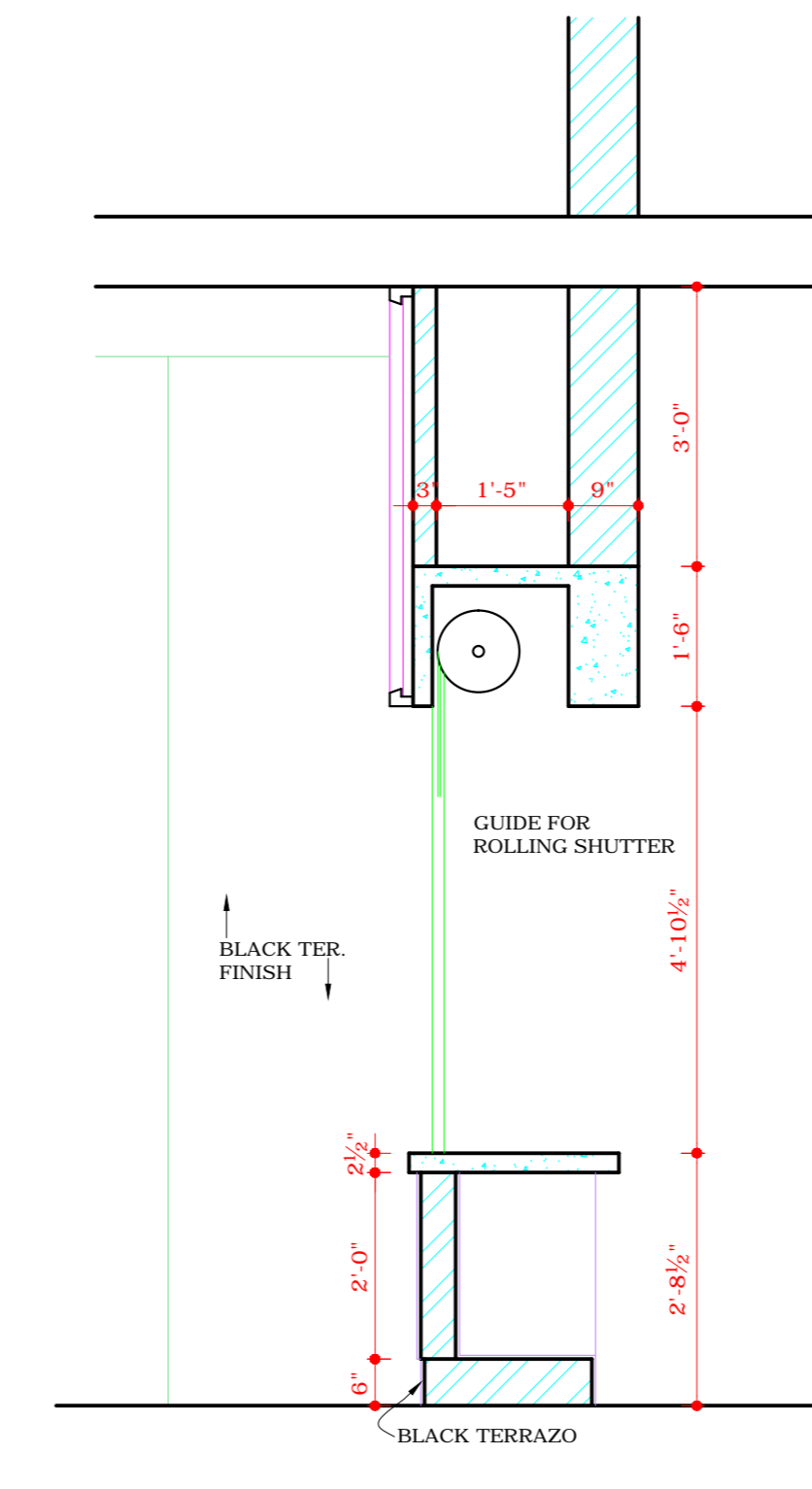
Sd/ 2nd April 1973



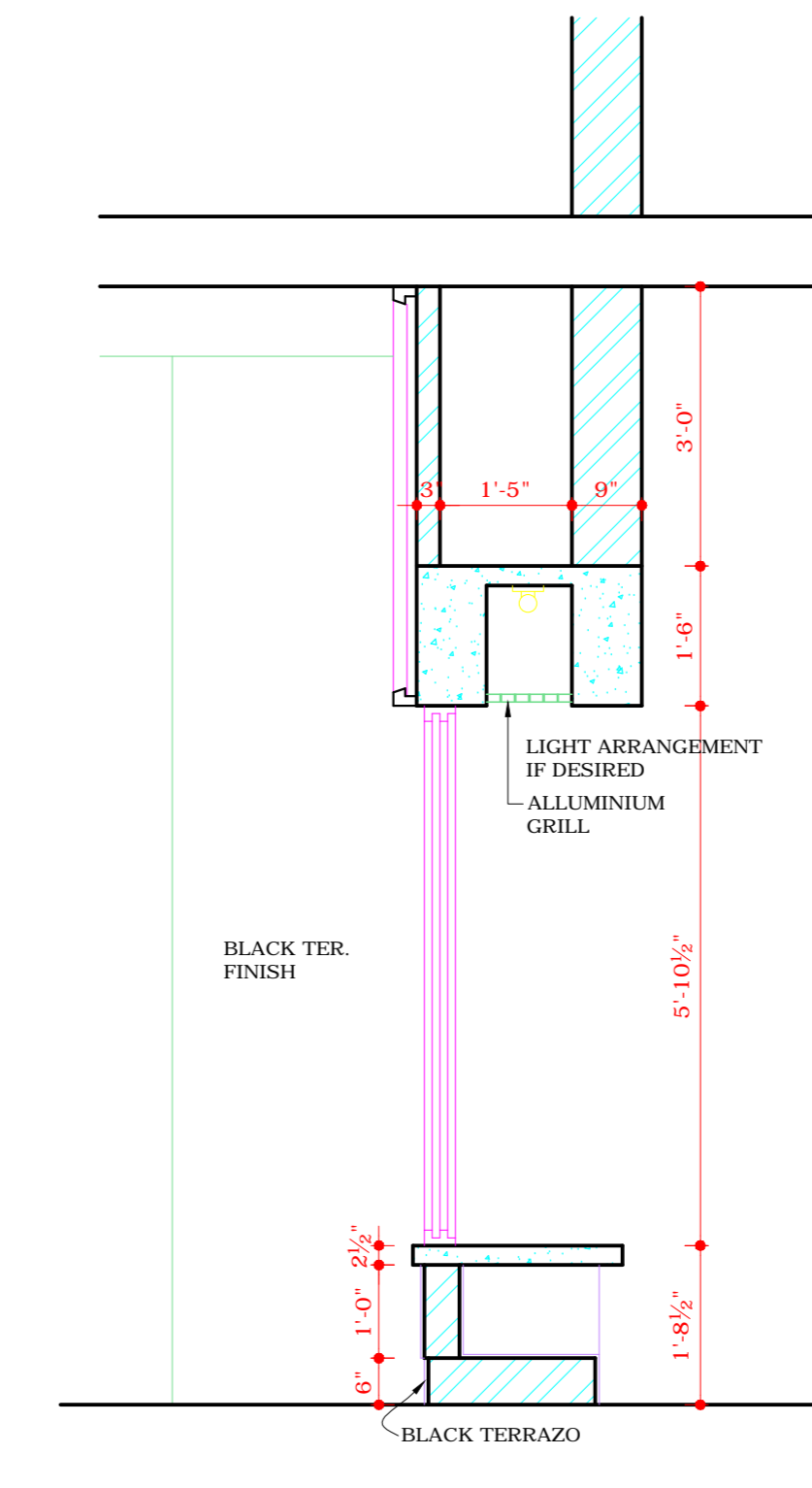
SHOP FRONT WITH COUNTER

SHOP FRONT WITH SHOW CASE

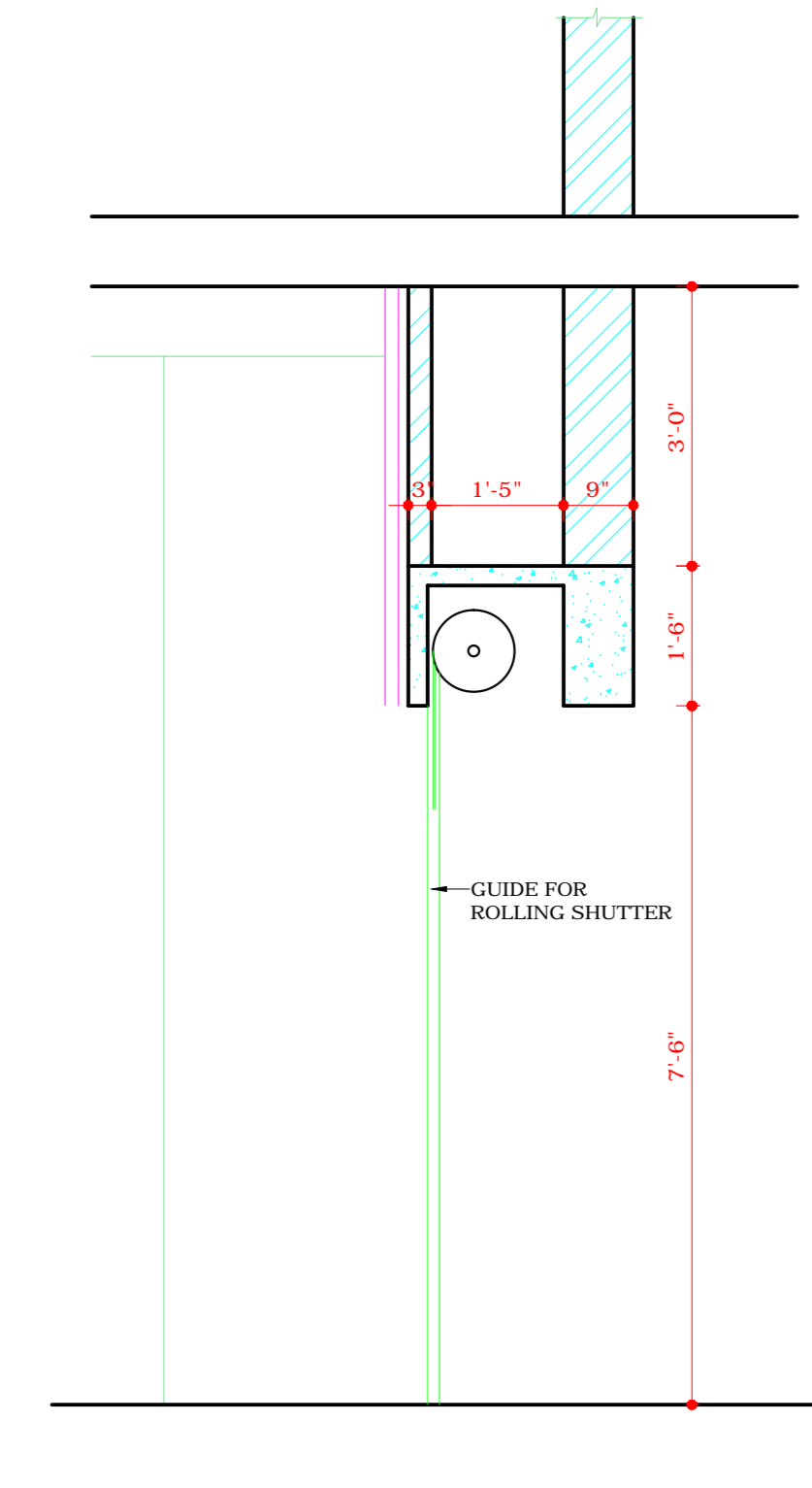
SHOP FRONT FULL OPEN



COUNTER SECTIONS

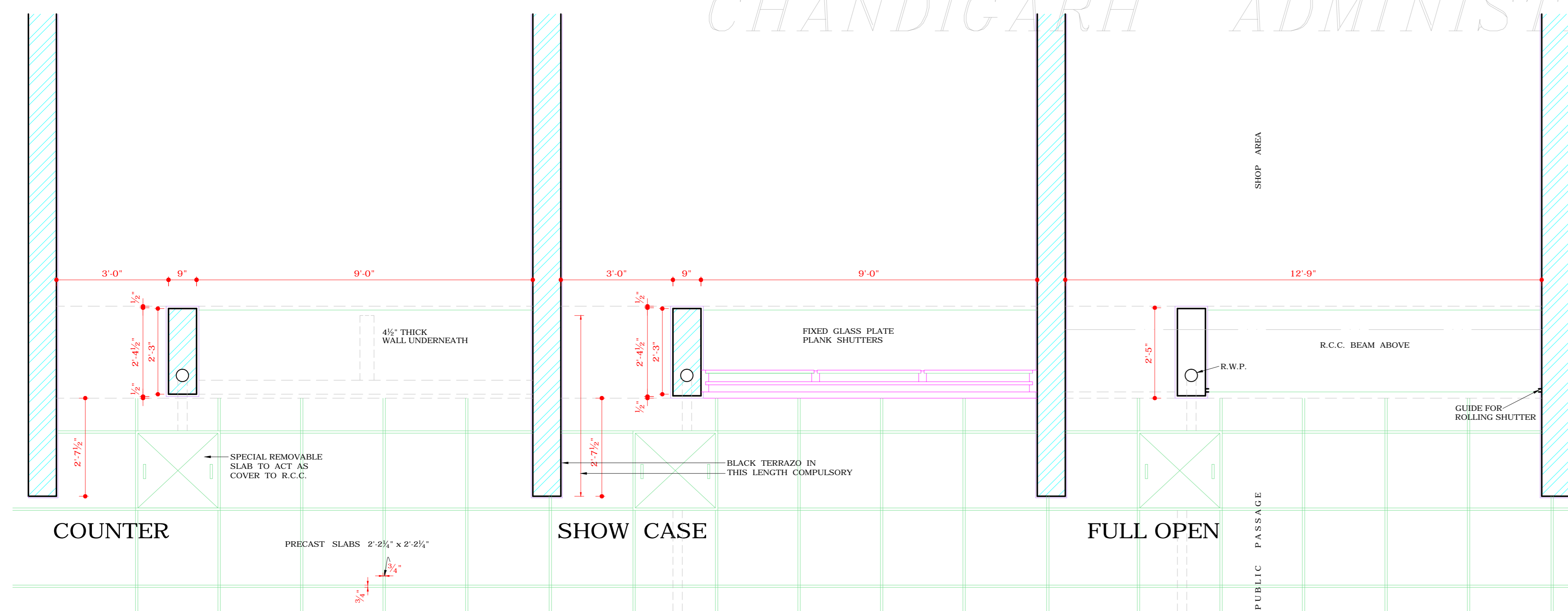


SHOW-CASE



FULL OPEN

DEPARTMENT OF URBAN PLANNING
 CHANDIGARH ADMINISTRATION

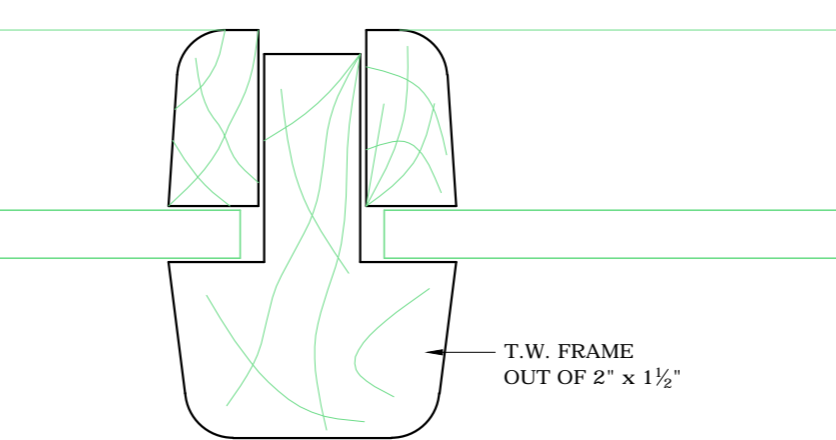


COUNTER

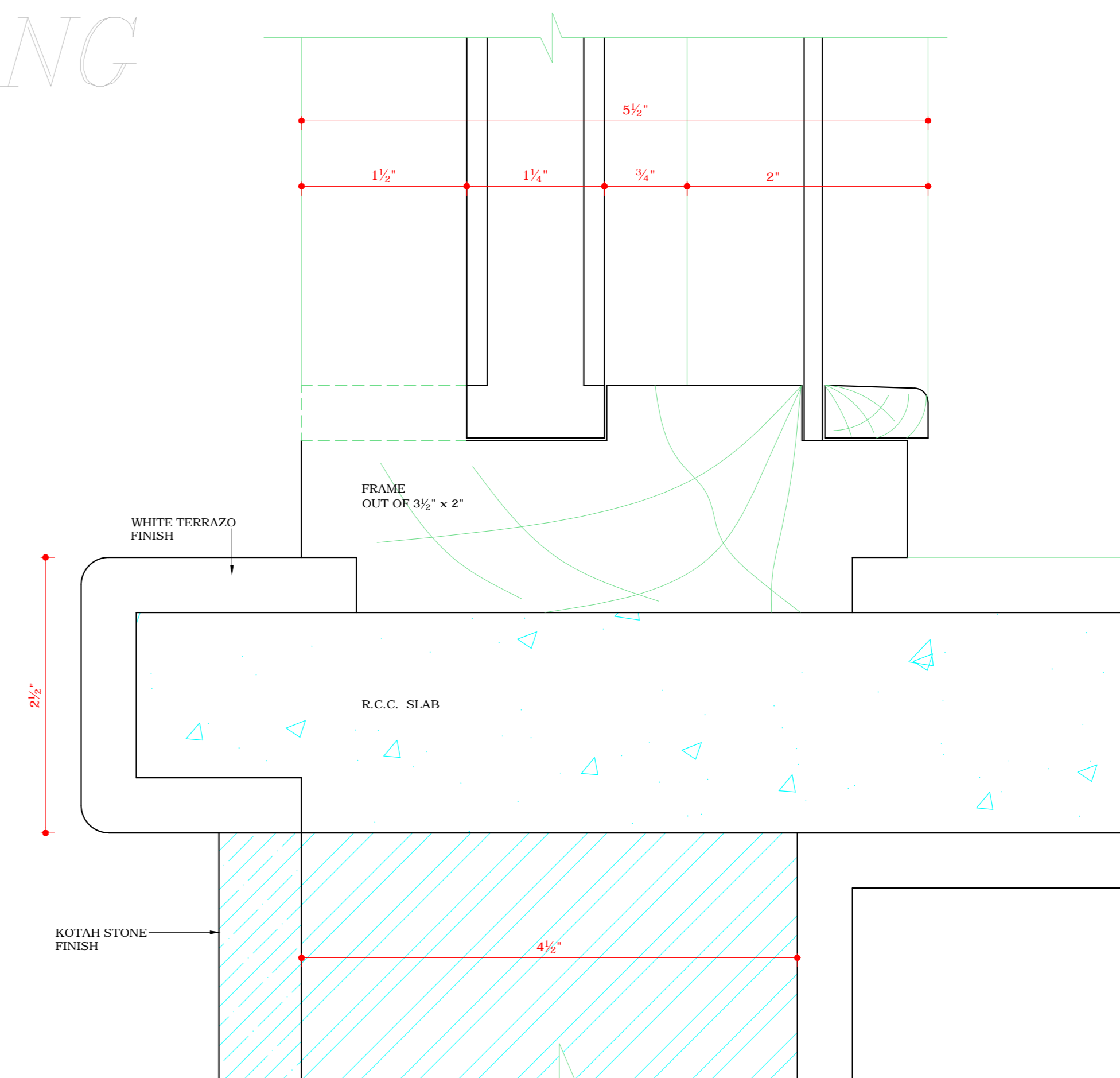
SHOW CASE

FULL OPEN

PLANS



F.S. DETAIL AT T.W. GLAZING BAR



F.S. SECTION THROUGH SHOW CASE FRAME

DISCLAIMER

THOUGH EVERY CARE HAS BEEN TAKEN TO PROVIDE THE CORRECT (PDF) FORMAT, YET IN CASE OF ANY DISCREPANCY, THE MASTER COPY OF THE ARCHITECTURAL CONTROL, APPLICABLE ON EACH SUCH SITE, AS AVAILABLE IN THE COMMERCIAL RECORD OF THE OFFICE OF CHIEF ARCHITECT OR HER/ HIS INTERPRETATION WILL OVERRULE THE DIGITIZED FORMAT.

Sd/ M.U. KUREKAR 9.7.73
 ASSTT. ARCHITECT.

NOTE:- THIS DRAWING HAS BEEN COMPUTERISED ON 23-12-09 FROM DRG. No. 10 JOB No. 220.

Sd/ S.L. VARMA 5.X.70 CHIEF ADMINISTRATOR
 Sd/ M.N. SHARMA 5.X.70 CHIEF ARCHITECT.

Sd/ P. JEANNERET SENIOR ARCHITECT.
 Sd/ ADITYA PARKASH JUNIOR ARCHITECT.

OFFICE OF THE CHIEF ARCHITECT CHANDIGARH, U.T.

SCALE = 1/2" = 1'-0"

DATE: 22.X.58

Sd/ CURBIR SINGH 2nd April 1973
 DRG. No. 10
 JOB No. 220

SHOP CUM FLATS SECTOR - 24 THREE ALTERNATIVES FOR THE TREATMENT OF SHOP FRONT.