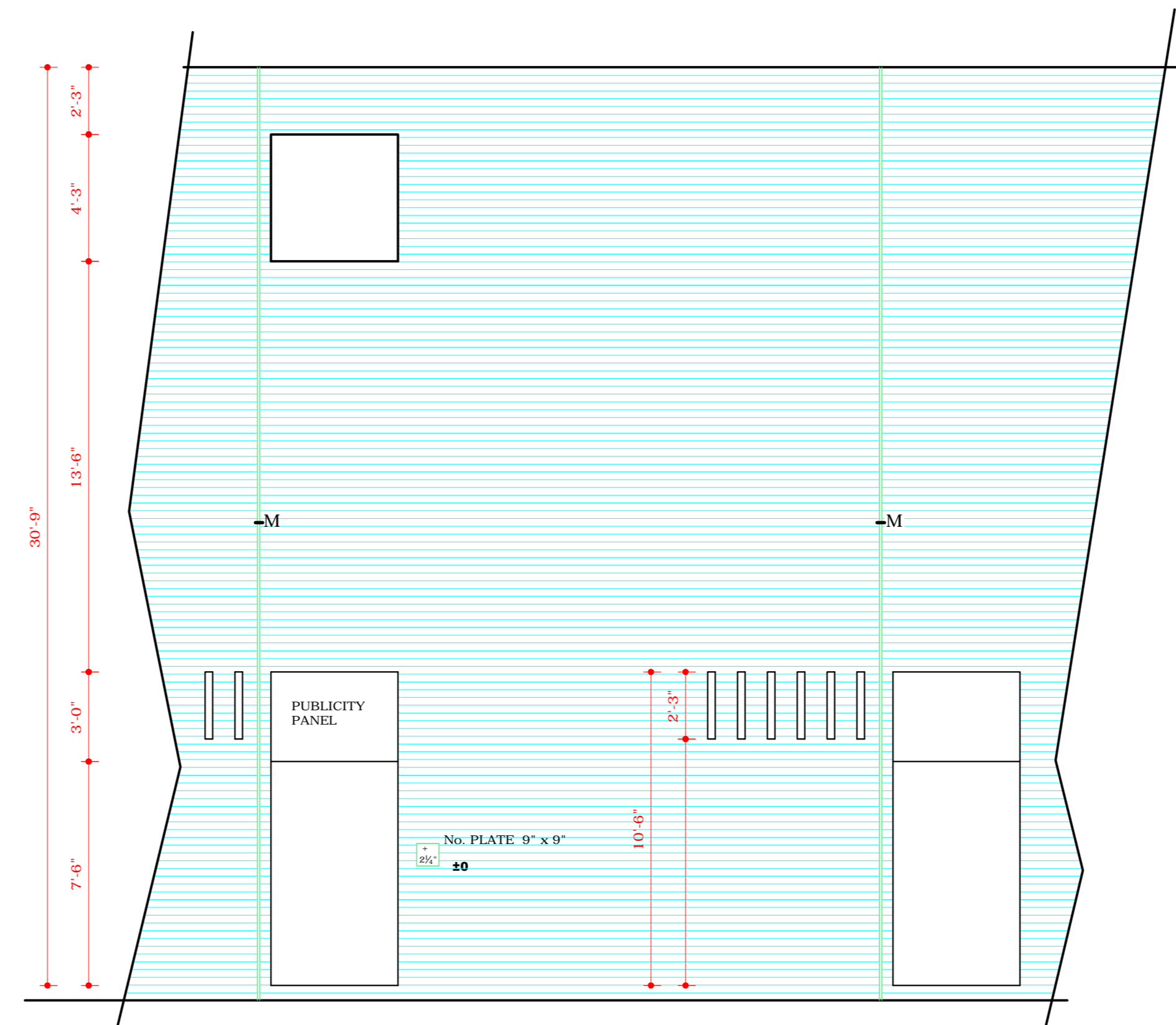
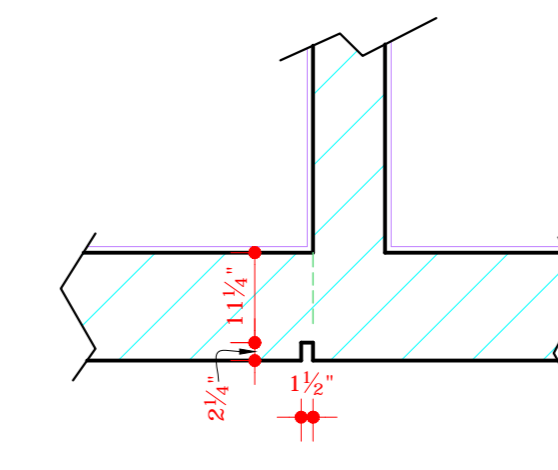


FRONT ELEVATION

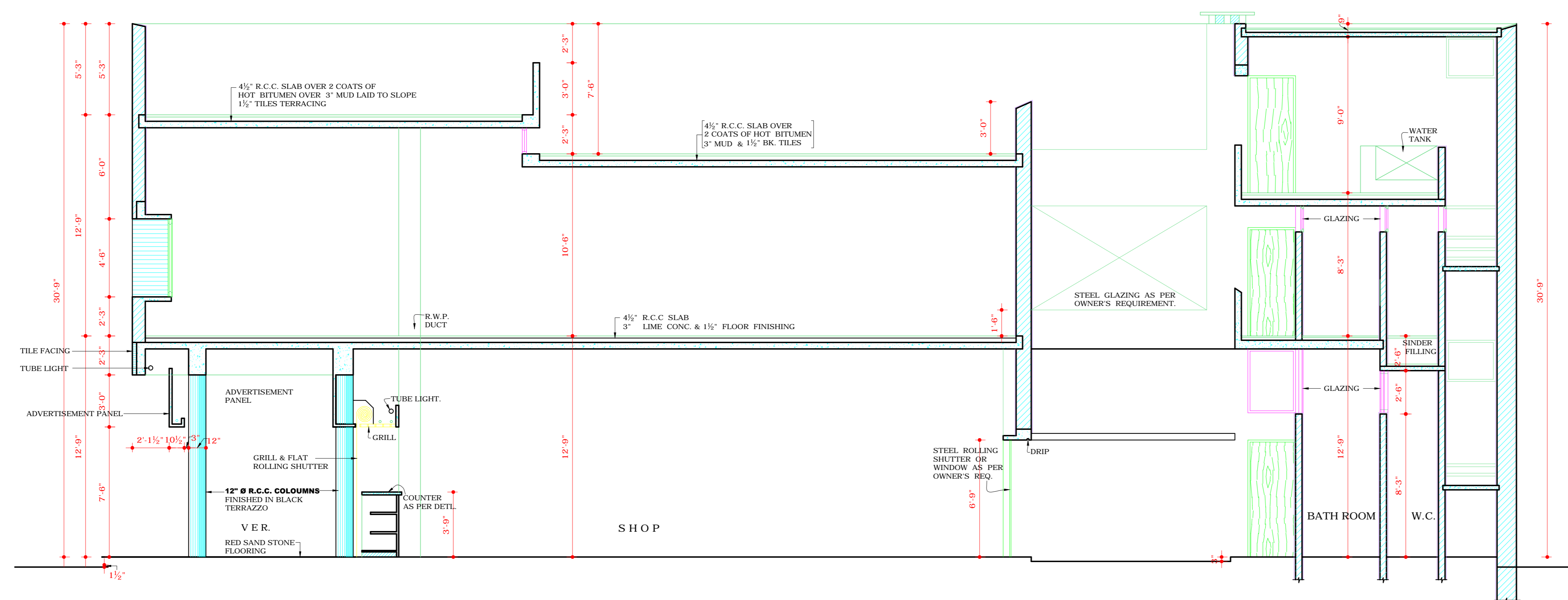


REAR ELEVATION



1/2" DETAIL PLAN OF GROOVE AT M

COPYRIGHT:
DEPARTMENT OF URBAN PLANNING
CHANDIGARH ADMINISTRATION



SECTION ON LINE A. B.

SCHEDULE OF DOORS & WINDOWS

D	DOOR	4'-6" X 7'-6"	STEEL FRAME & SITAPUR SHUTTER
D ₁	-	3'-0" X 6'-9"	
D ₂	-	2'-3" X 6'-9"	
W	WINDOW	6'-0" X 6'-9"	
W ₁	-	4'-6" X 4'-6"	

NOTES

- THIS DRG. IS THE PROPERTY OF THE DEPTT. OF ARCHITECTURE CHANDIGARH AND MUST NOT BE ALTERED, COPIED OR USED IN WHOLE OR IN PART WITHOUT THE PERMISSION OF THIS DEPARTMENT IN WRITING.
- DRG. No. 1 & 2 OF JOB No. 517 ARE TO BE READ TOGETHER AND FORM PART OF THE ARCHITECTURAL CONTROL FOR SHOP-CUM-OFFICE SITES 201 TO 213 SITUATED IN THE LAY OUT PLAN OF SHOPPING CENTRE OF SETOR 24-D (DRG.No. 37 JOB No. 28).

NOTE:- THIS DRAWING IS THE COMPUTERISED REPRODUCTION OF ORIGINAL DRG. NO.2 JOB NO. 517 DATE: 26-11-08

Sd/- S.L. VERMA
19-9-70

CHIEF ADMINISTRATOR

Sd/- M.N. SHARMA
26.8.67

CHIEF ARCHITECT

Sd/- J.S. DETHE

SENIOR ARCHITECT

Sd/- IQBAL SINGH

ASSTT. ARCHITECT

Sd/- S.N. KOHLI

ARCHITECT

OFFICE OF THE
CHIEF ARCHITECT
CHANDIGARH U.T.

SCALE:- 4 FEET TO AN INCH

DATE:

DRAWN
JOGINDER

TRACED
TARSEM SINGH

JOB NO.

517

DRG NO.

2

BAKERY CUM OFFICE
IN SECTOR 24-D

ELEVATIONS & SECTION.

DISCLAIMER

THOUGH EVERY CARE HAS BEEN TAKEN TO PROVIDE THE CORRECT VERSION OF THE ARCHITECTURAL CONTROL ON THIS DIGITIZED (PDF) FORMAT. YET IN CASE OF ANY DISCREPANCY, THE MASTER COPY OF THE ARCHITECTURAL CONTROL APPLICABLE ON EACH SUCH SITE, AS AVAILABLE IN THE COMMERCIAL RECORD OF THE OFFICE OF CHIEF ARCHITECT OR HER/HIS INTERPRETATION WILL OVERRULE THE DIGITIZED FORMAT.