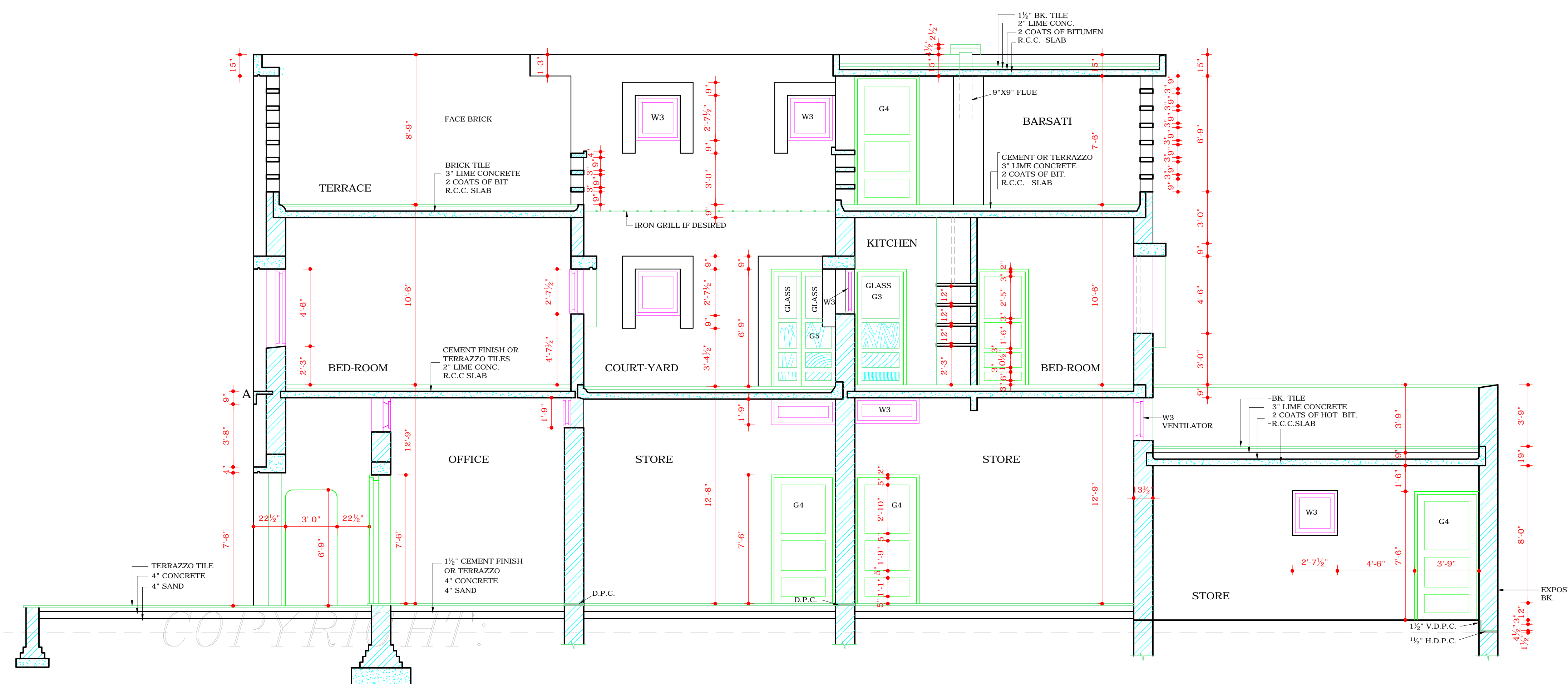
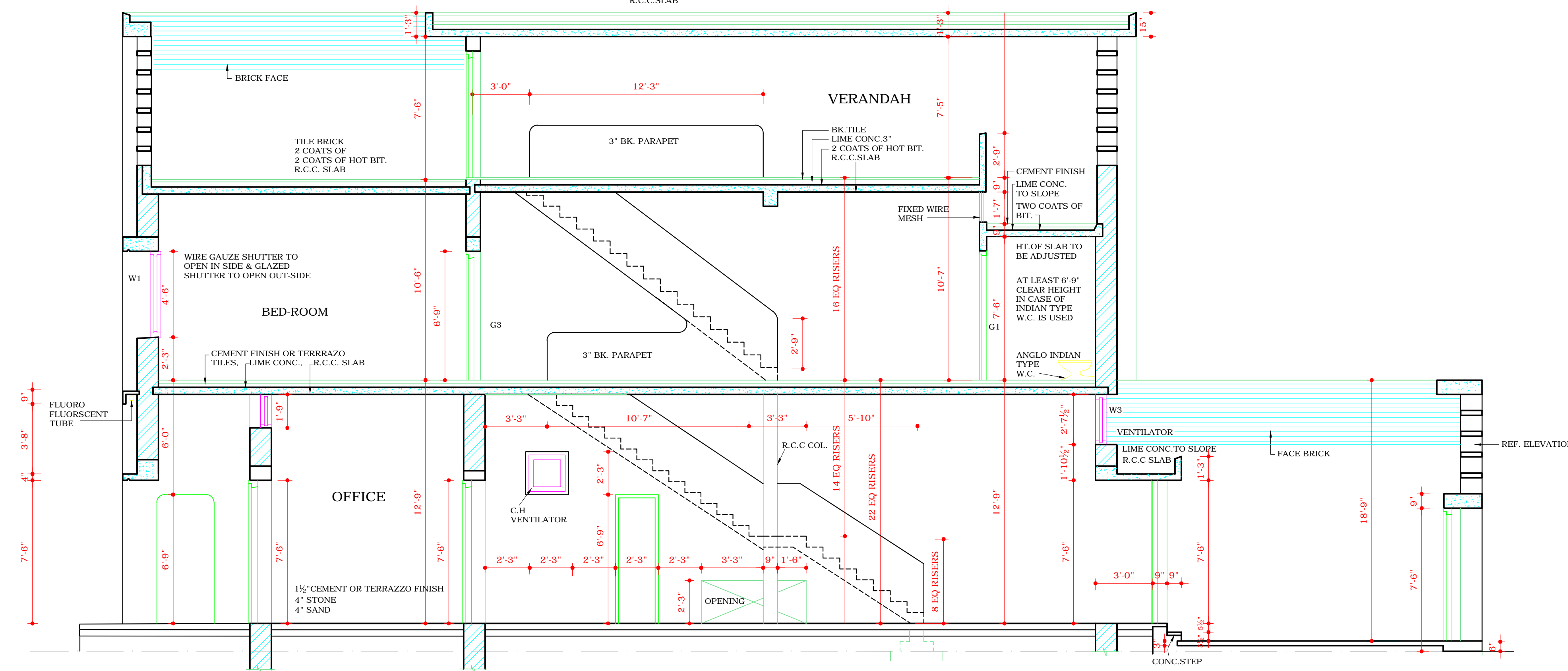


DEPARTMENT OF ARCHITECTURE

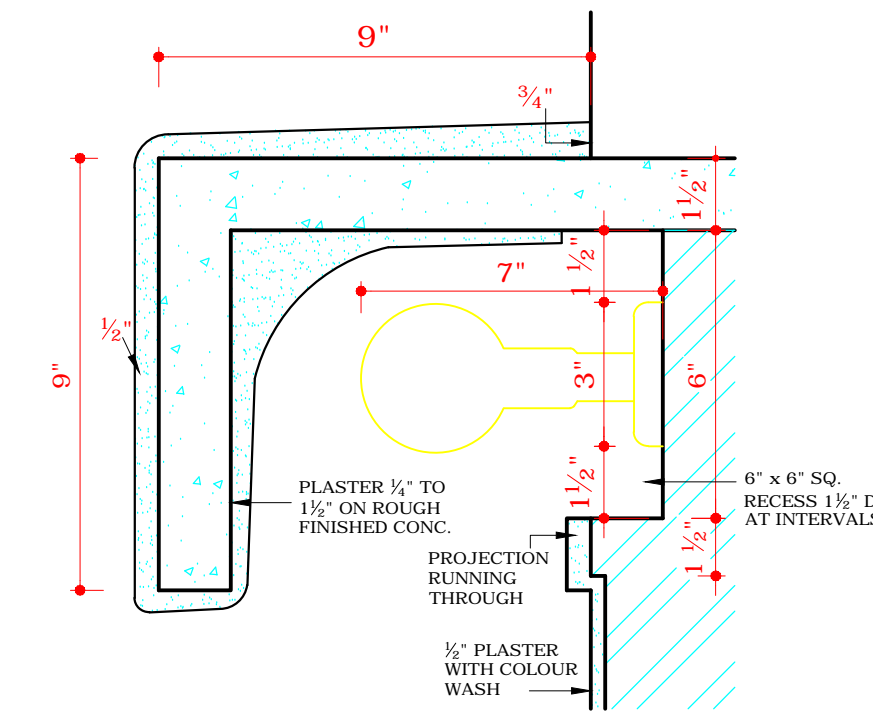


SECTION BB

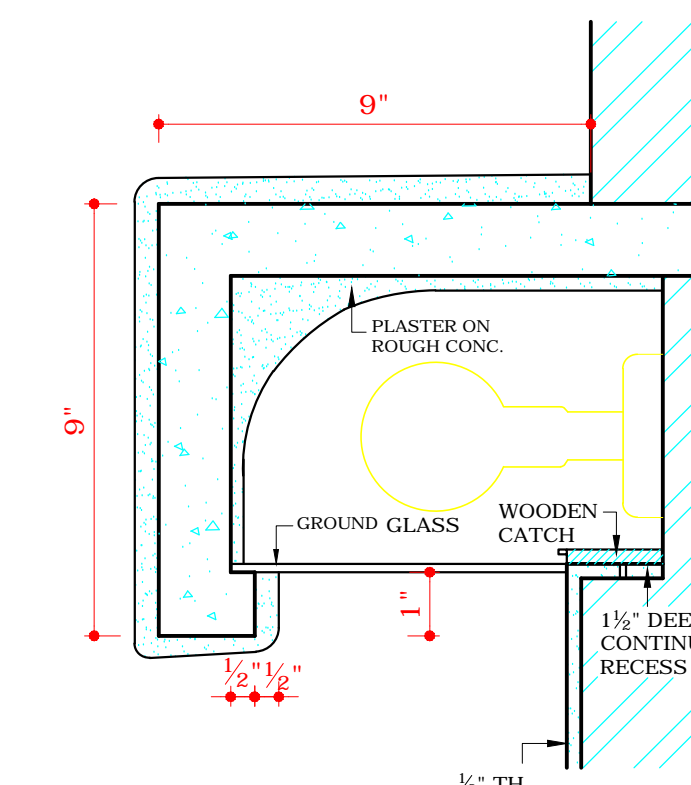
DEPARTMENT OF URBAN PLANNING  
CHANDIGARH ADMINISTRATION



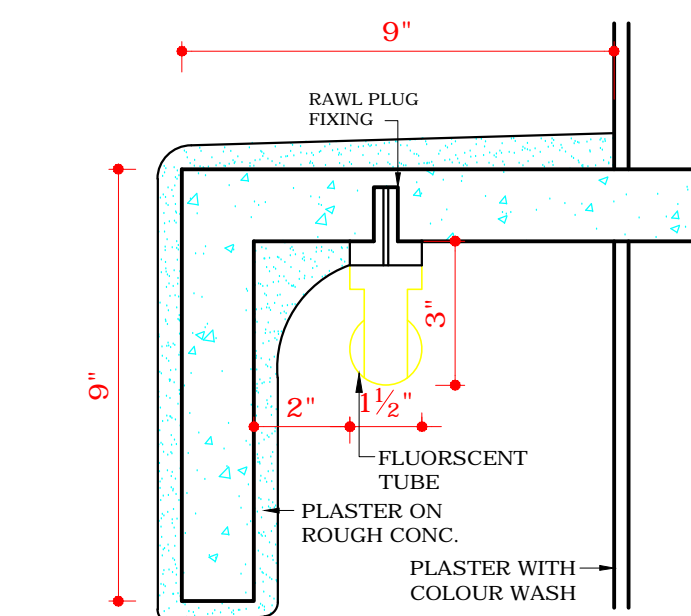
SECTION A-A



1/4" FULL SIZE DETAIL AT 'A'  
ALTERNATIVE WITH ORDINARY  
ELECTRIC BULB



1/4" FULL SIZE DETAIL AT 'A'  
ALTERNATIVE WITH BULB  
AND GLASS



1/4" FULL SIZE DETAIL 'A'  
ALTERNATIVE WITH FLUORESCENT  
LIGHT.

DISCLAIMER  
THOUGH EVERY CARE HAS BEEN TAKEN TO PROVIDE THE CORRECT VERSION OF THE ARCHITECTURAL CONTROL ON THIS DIGITIZED (PDF) FORMAT, YET IN CASE OF ANY DISCREPANCY, THE MASTER COPY OF THE ARCHITECTURAL CONTROL APPLICABLE ON EACH SUCH SITE, AS AVAILABLE IN THE COMMERCIAL RECORD OF THE OFFICE OF CHIEF ARCHITECT OR HER/HIS INTERPRETATION WILL OVERRULE THE DIGITIZED FORMAT.

1. THIS DRG. IS THE PROPERTY OF THE DEPTT. OF ARCHITECTURE CHANDIGARH U.T. FORMERLY OF PB. GOVT. & MUST NOT BE ALTERED COPIED OR USED IN WHOLE OR PART WITHOUT THE PERMISSION OF THE DEPTT. IN WRITING
2. THIS DRG. IS THE SAME AS APPROVED BY THE SECY. CAPITAL BUT HAS BEEN RE-DRAWN TO REVISE CERTAIN WALL THICKNESSES.  
Sd/ IQBAL SINGH. 29.9.70
3. DRG. REVISED ON 26.10.56 FOR CHANGES IN FRONT AND REAR ELEVATION.  
Sd/ 26.11.
4. REVISED ON 21.6.57 FOR OPENING IN BK. JALI ON TERRACE FLOOR & INCREASED HT. OF BLDG. BY 6" DUE INCREASE IN HT. OF PARAPET.  
Sd. 21.6.57

NOTE:-  
THIS DRAWING IS THE COMPUTERISED REPRODUCTION OF ORIGINAL DRG. NO. 2 JOB NO. 182 DATE 18-09-08

ATTESTED TRUE COPY  
Sd/- KUREKAR  
ASTT. ARCHITECT  
  
Sd/- S.L. VERMA / 19.9.70  
CHIEF-ADMINISTRATOR  
  
Sd/- P. JENNERET  
SENIOR ARCHITECT

SCALE:- 1/4" EQUAL TO 1'-0"

DRAWN R.B	RE DRAWN Sd/-	DATE 11.9.56
JOB NO. 182	DRG NO. 2	SET OF 2

STANDARD SHOPS  
GRAIN - MARKET  
SECTIONS.- AA & BB