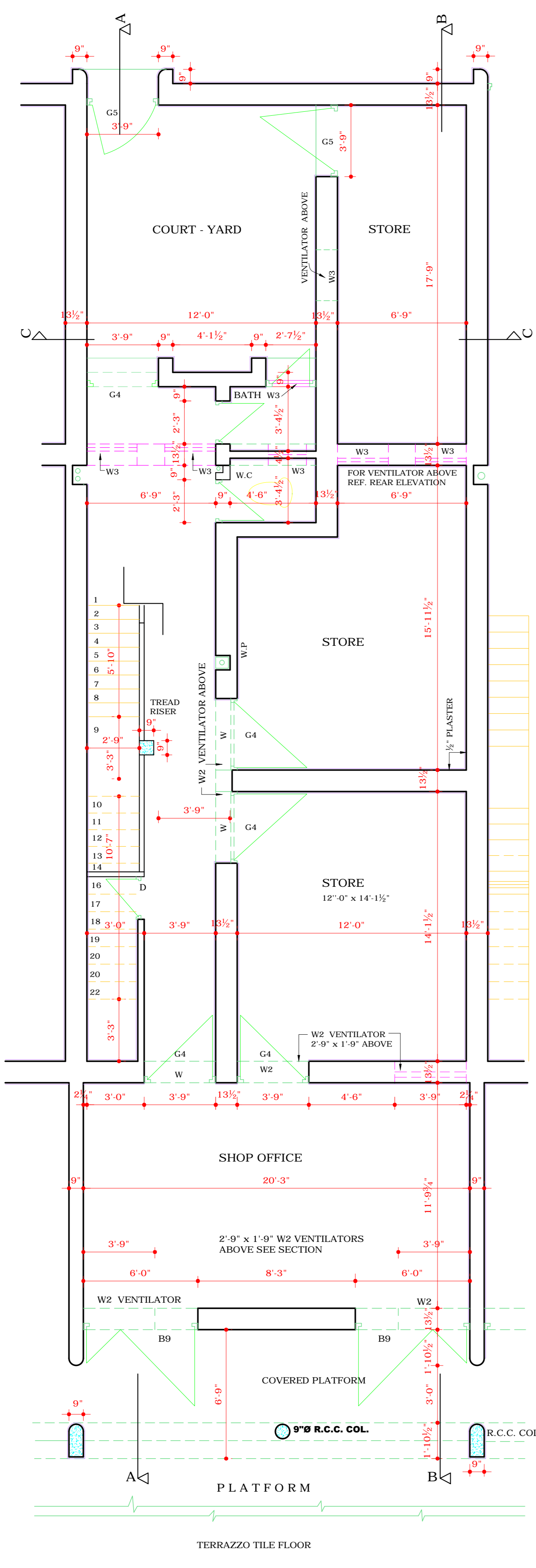
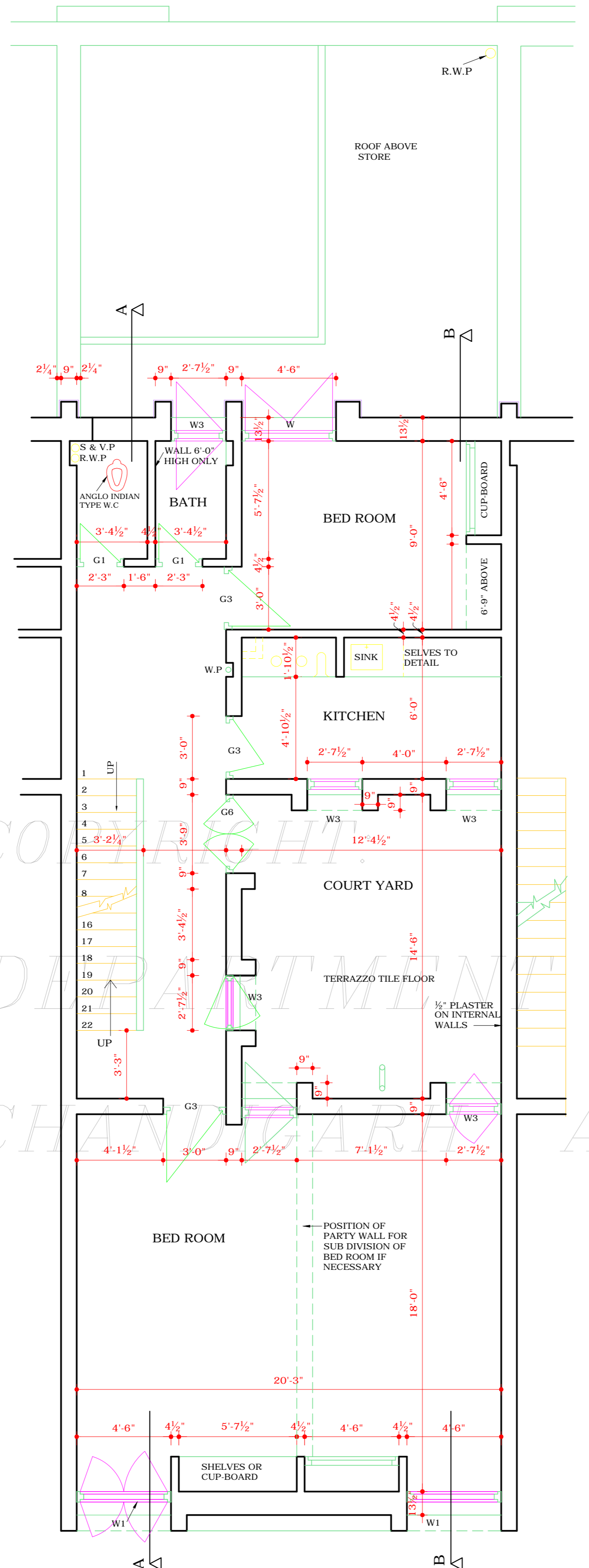


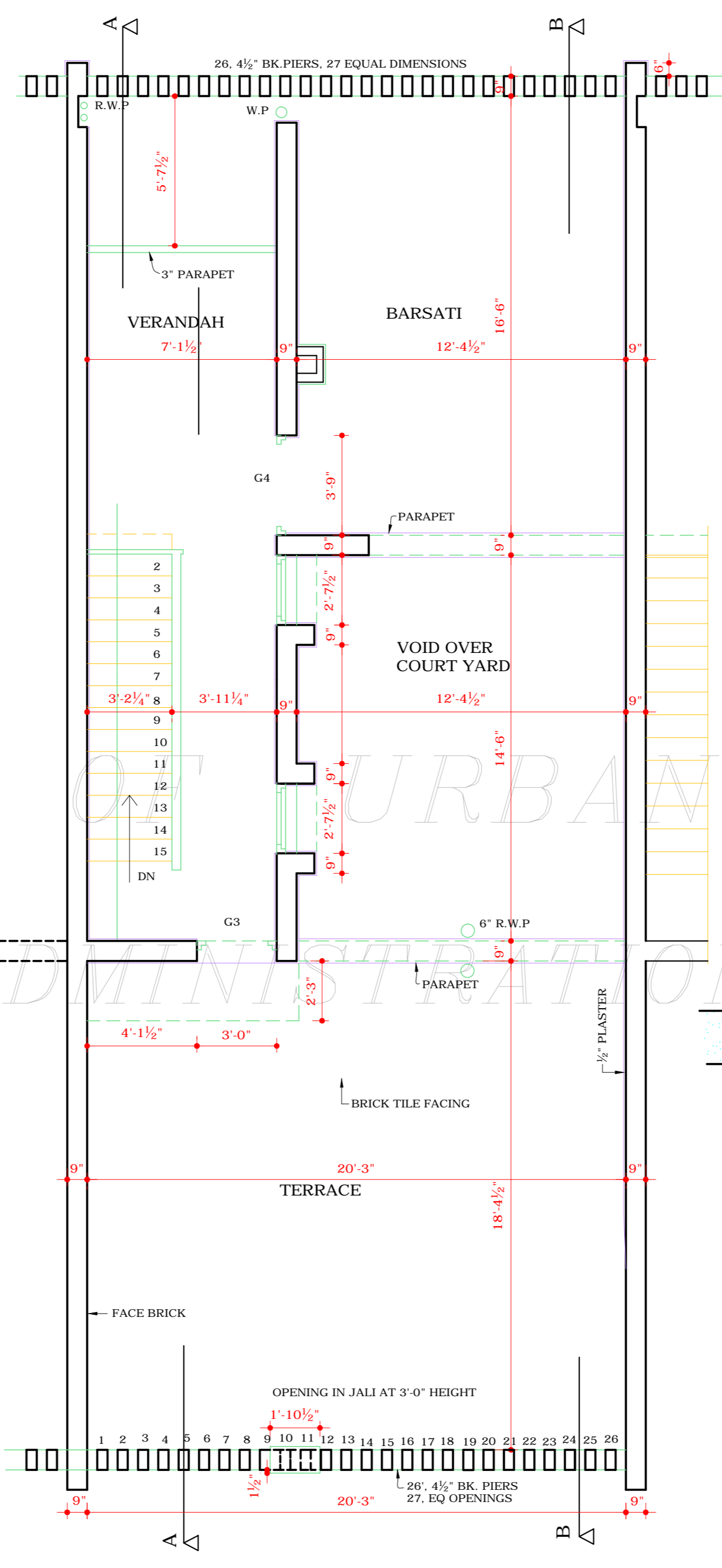
DEPARTMENT OF
ARCHITECTURE



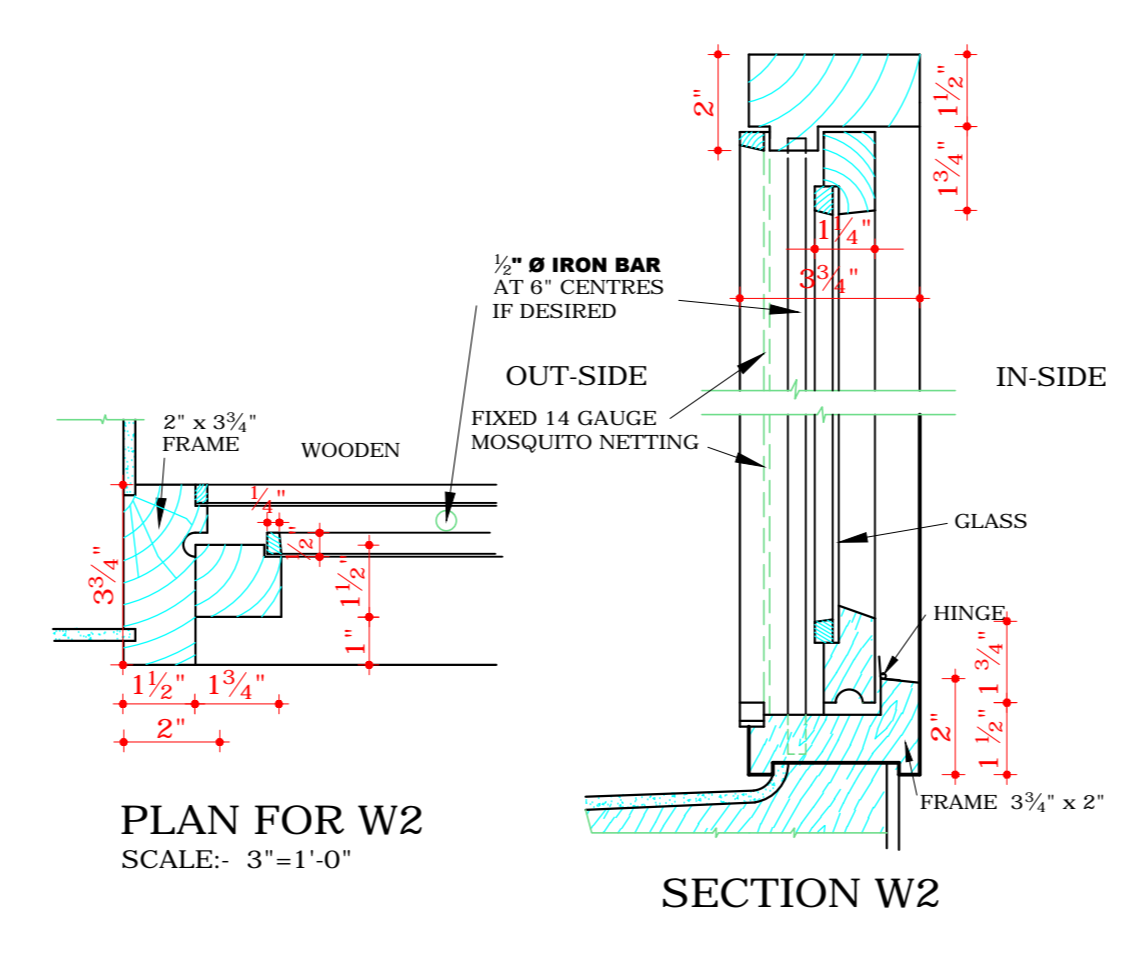
GROUND FLOOR PLAN



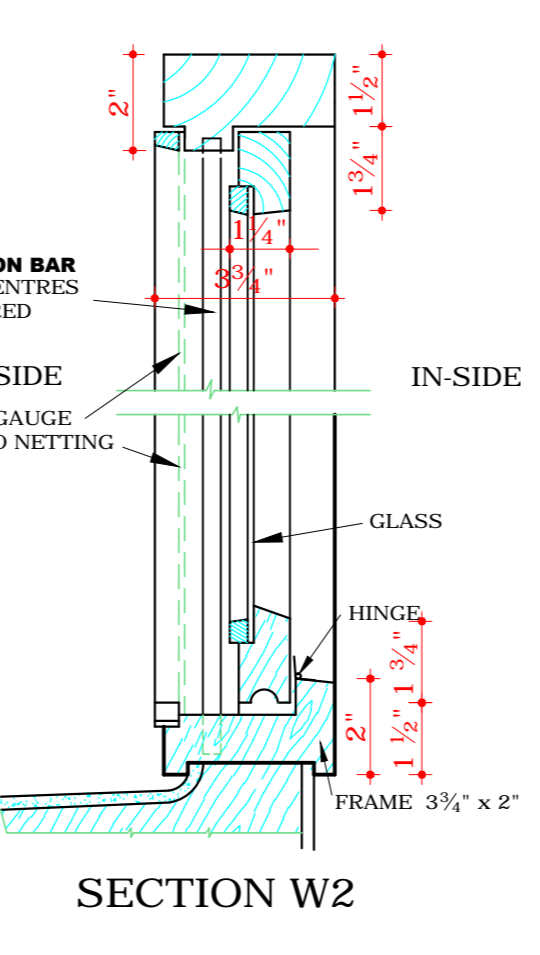
FIRST FLOOR PLAN



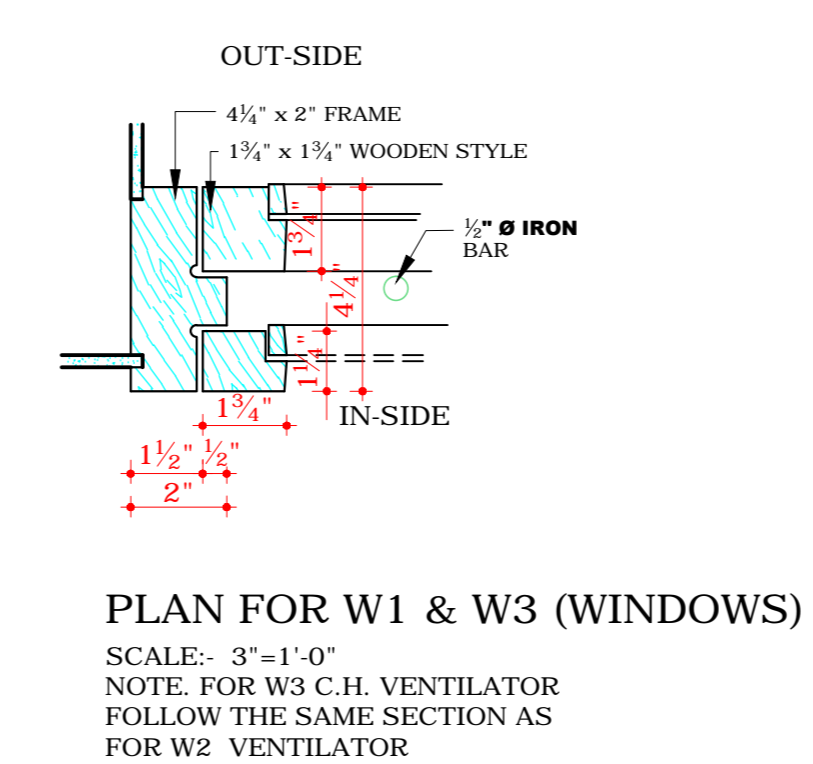
BARSATI FLOOR PLAN



PLAN FOR W2
SCALE: 3/4" = 1'-0"

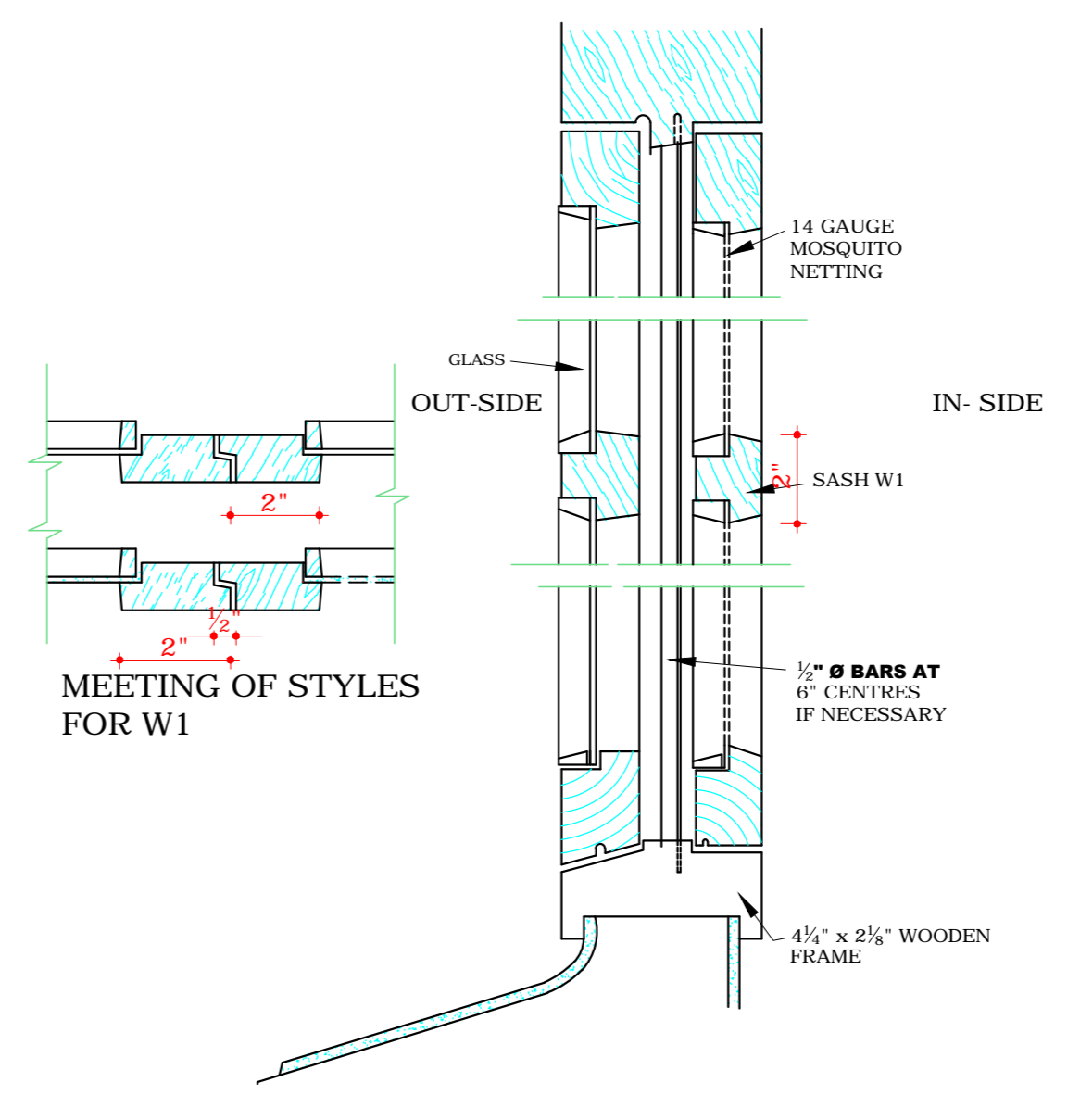


SECTION W2

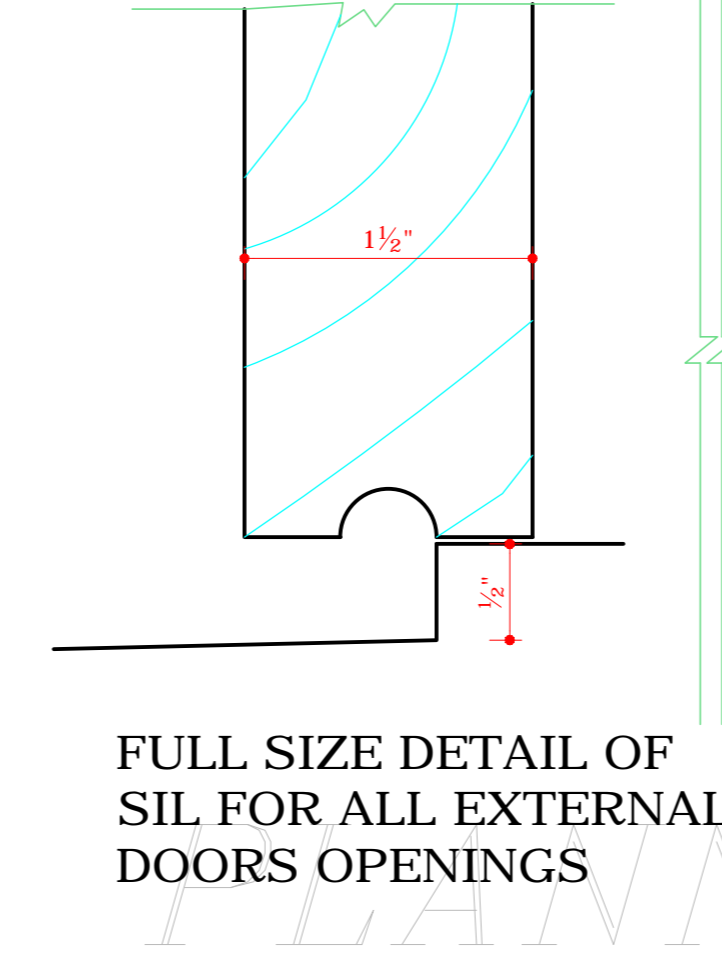


PLAN FOR W1 & W3 (WINDOWS)
SCALE: 3/4" = 1'-0"

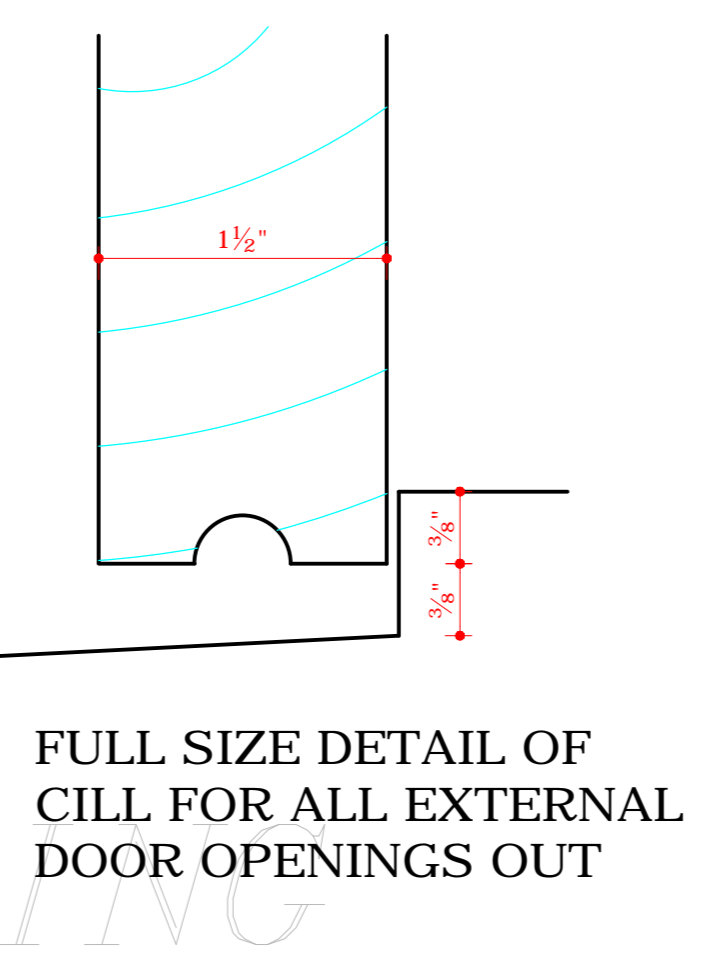
NOTE: FOR W3 CH. VENTILATOR FOLLOW THE SAME SECTION AS FOR W2 VENTILATOR



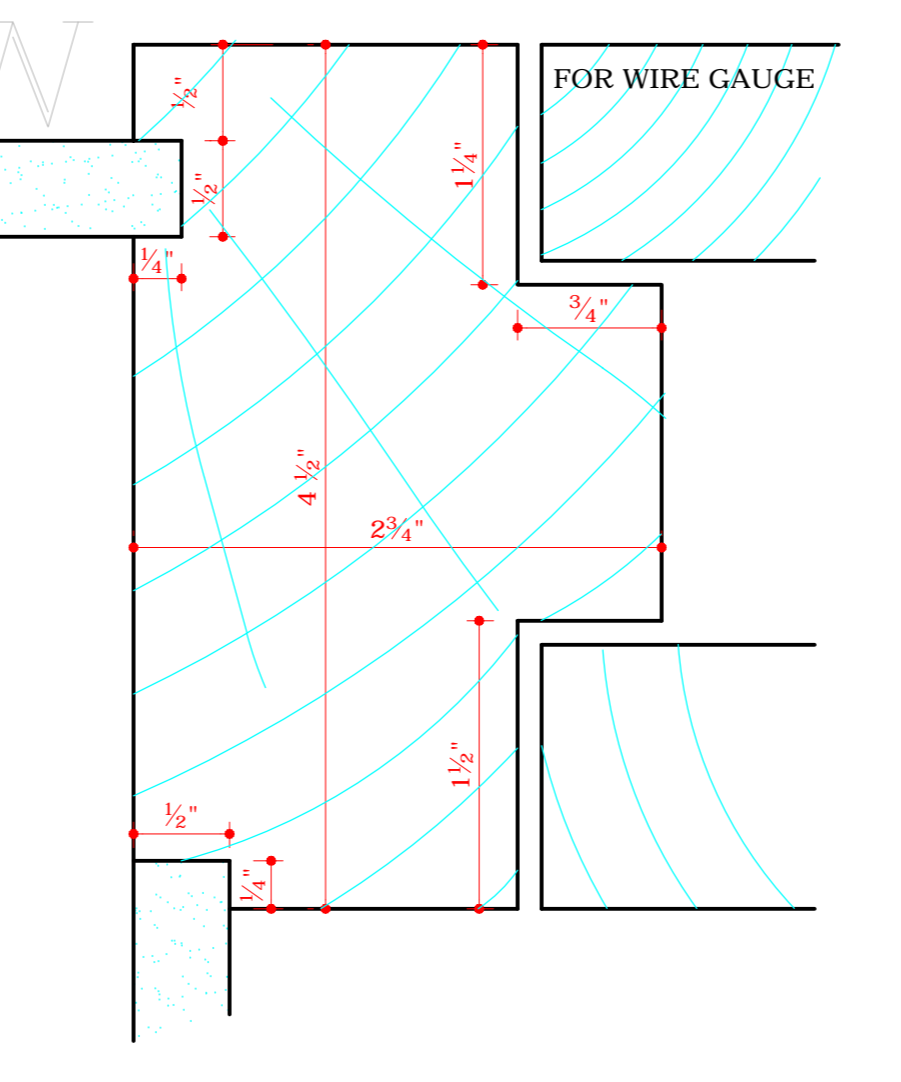
MEETING OF STYLES FOR W1



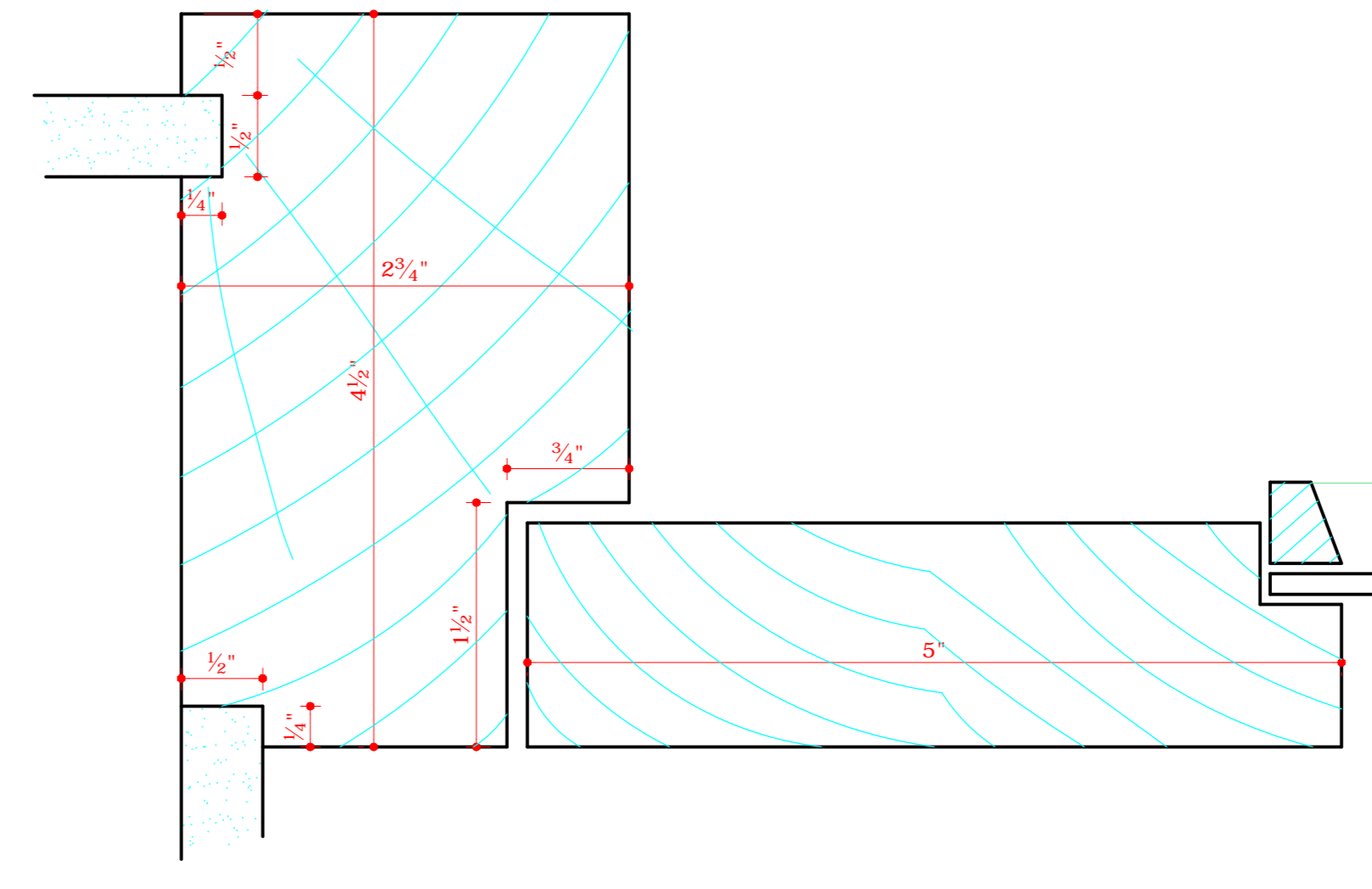
FULL SIZE DETAIL OF SILL FOR ALL EXTERNAL DOORS OPENINGS



FULL SIZE DETAIL OF CILL FOR ALL EXTERNAL DOOR OPENINGS OUT



FULL SIZE DETAIL OF DOOR FRAME WITH WIRE GAUGE SHUTTER



FULL SIZE DETAIL OF DOOR FRAME (WITHOUT WIRE-GAUGE SHUTTER)

DISCLAIMER
THOUGH EVERY CARE HAS BEEN TAKEN TO PROVIDE THE CORRECT VERSION OF THE ARCHITECTURAL CONTROL ON THIS DIGITIZED (PDF) FORMAT. YET IN CASE OF ANY DISCREPANCY, THE MASTER COPY OF THE ARCHITECTURAL CONTROL APPLICABLE ON EACH SUCH SITE, AS AVAILABLE IN THE COMMERCIAL RECORD OF THE OFFICE OF CHIEF ARCHITECT OR HER/HIS INTERPRETATION WILL OVERRULE THE DIGITIZED FORMAT.

NOTE:
THIS DRAWING IS THE COMPUTERISED REPRODUCTION OF ORIGINAL DRG. NO. 1 JOB NO. 182 DATE: 26-09-08

- S.No NOTES
- THIS DRAWING IS THE PROPERTY OF DEPTT. OF ARCHITECTURE CHANDIGARH U.T FORMERLY OF THE P.B. GOVT. AND MUST NOT BE COPIED OR USED IN WHOLE OR IN PART WITHOUT THE PERMISSION OF THE DEPTT. IN WRITING
 - REVISED ON 21.6.57 FOR OPENING IN BRICK JALI ON TERRACE AND INCREASED HEIGHT OF PARAPET ON BARSATI FLOOR TOTAL HEIGHT OF BUILDING INCREASED BY 6" S.D
 - DRG. REVISED 26-10-56 FOR FRONT & REAR ELEVATION. CHANGES INTRODUCED ON PLANS SD/26-10-56
 - WALLS IN THE STORES ON GROUND FLOOR ARE TO BE CONSTRUCTED IN 1:3 CEMENT MORTAR SD/IQBAL SINGH 11-09-70
 - AS PER CHIEF COMMISSIONERS ORDER DATED 15.3.71 REVISION MADE ON 6.7.71 REAR COURT-YARD COVERAGE OPTIONAL PROVIDED IT IS IN CONFORMITY WITH THE BUILDING BYE-LAWS SD/O.P MEHTA

ATTESTED TRUE COPY
SD/- KUREKAR ASSTT. ARCHITECT
SD/- S.L VERMA 19.9.70 CHIEF ADMINSTATOR
SD/- SENIOR ARCHITECT P. JEANNERET

SCALE: 1/4" TO A FOOT & FULL SIZE		
DRAWN : R.B	CHECKED	DATE 11.9.56
JOB NO. 182	DRG. NO. 1	SET OF

STANDARD SHOP PLANS FOR GRAIN MARKET PLANS: G_R FLOOR & 1ST & TERRACE FL. DETAILS