

DEPARTMENT OF ARCHITECTURE.

NOTES

1. THIS DRG. IS THE PROPERTY OF THE DEPTT. OF ARCHITECTURE, CHANDIGARH AND MUST NOT BE ALTERED, COPIED OR USED IN WHOLE OR IN PART WITHOUT THE PERMISSION OF DEPTT. IN WRITING.
2. ONLY QUALIFIED ARCHITECTS ARE ALLOWED TO SUBMIT PLANS, SUPERVISE CONSTRUCTION AND ISSUE COMPLETION CERTIFICATE.
3. FOR PLANS REF. DRG. No. 1 JOB No. 648.

ATTESTED

Sd/ KUREKAR
25.4.72
ASSTT. ARCHITECT

NOTE:- THIS DRAWING HAS BEEN COMPUTERISED ON 18-06-99 FROM ORIGINAL DRG. No. 2 JOB No. 648

Sd/ S.L. VERMA
CHIEF ADMINISTRATOR

Sd/ M.N. SHARMA
CHIEF ARCHITECT

Sd/ R.R. HANDA
SENIOR ARCHITECT

Sd/ O.P. MEHTA
ARCHITECT

Sd/ IQBAL SINGH
ASSTT. ARCHITECT

OFFICE OF THE CHIEF-ARCHITECT CHANDIGARH.

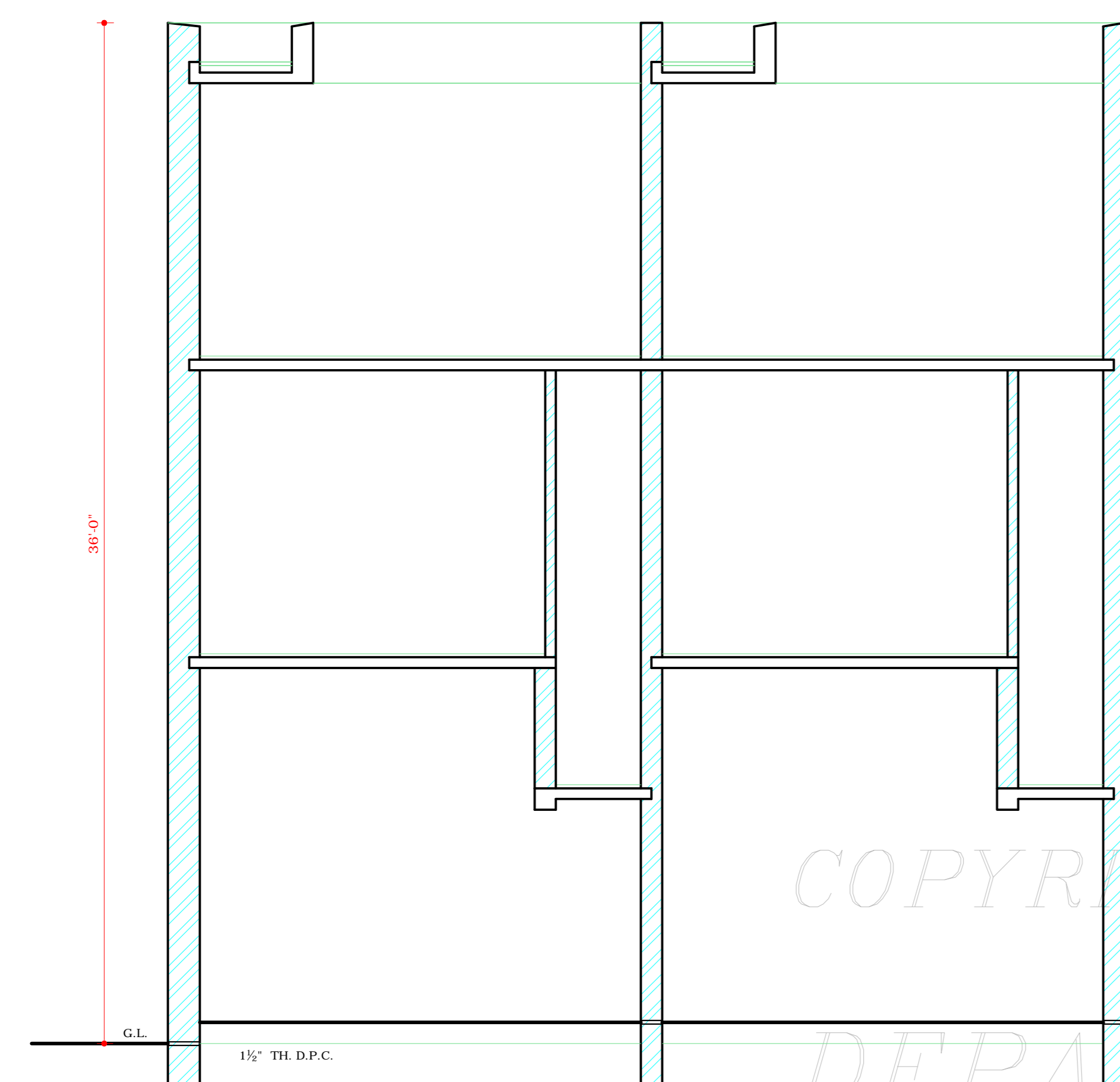
SCALE = 1/4" TO A FOOT DATE- 8/12/69

Sd/ DRAWN DRG. No. 2 JOB No. 648

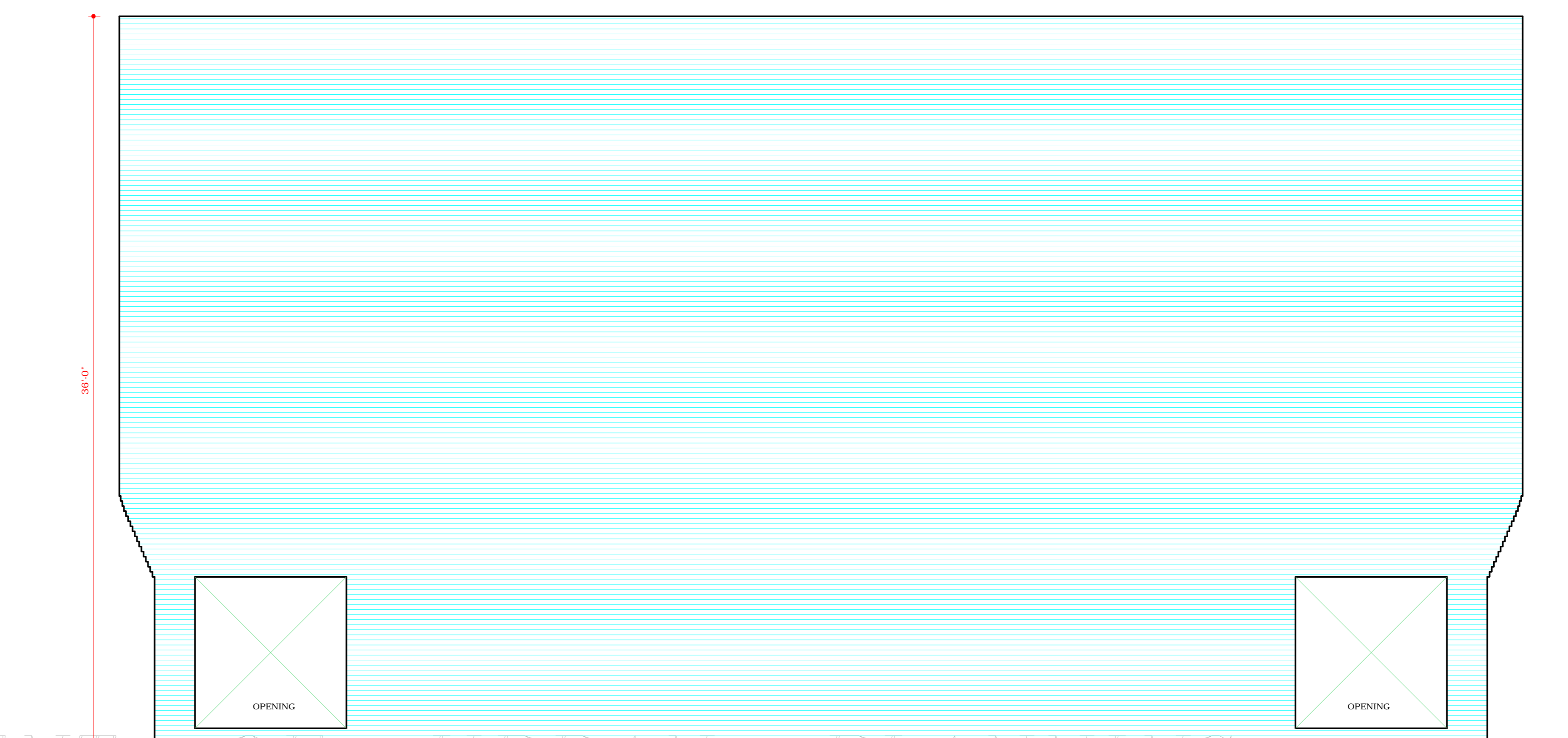
CHECKED SHOP CUM FLAT TYPE

SECTOR - 35.

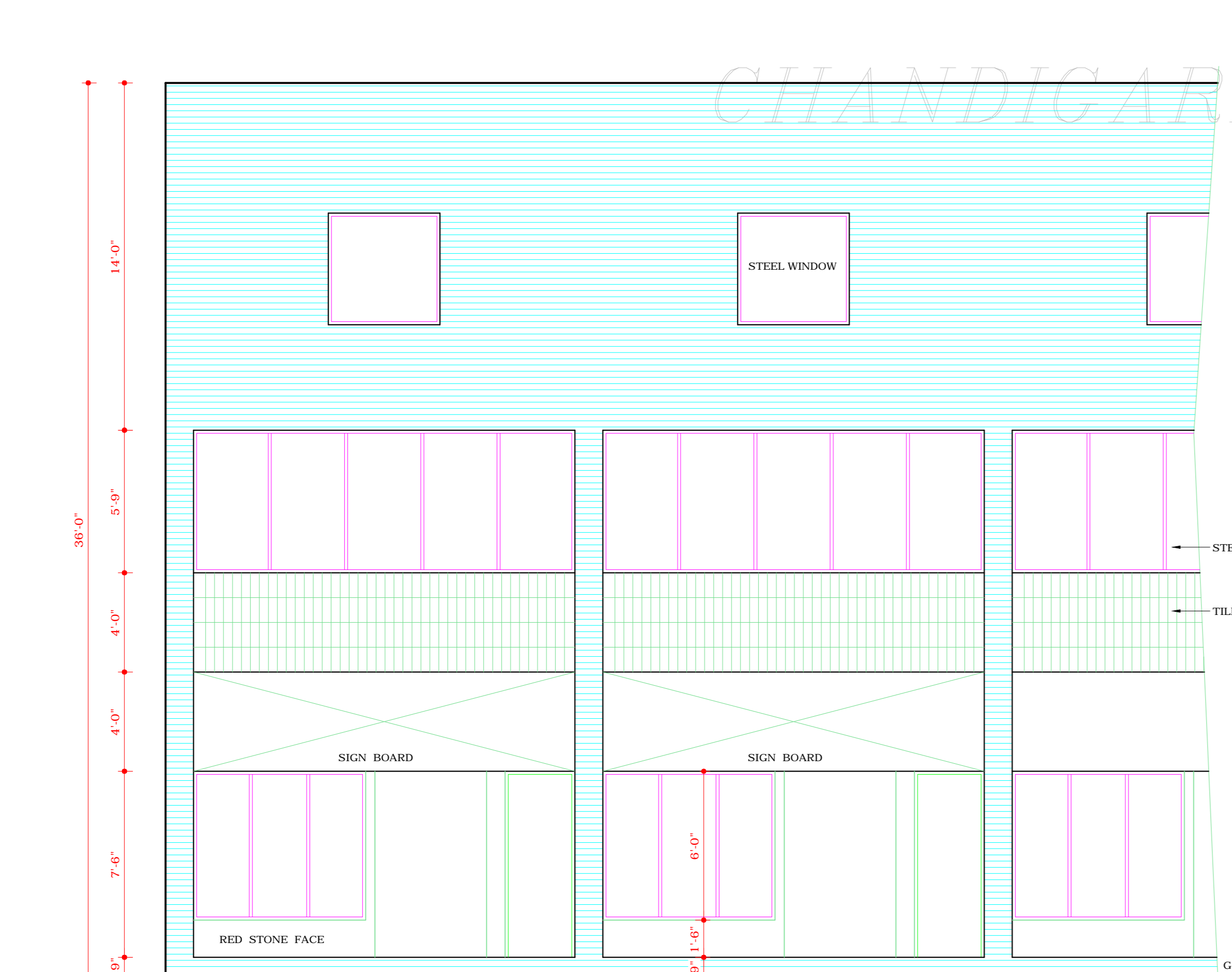
ELEVATIONS & SECTIONS



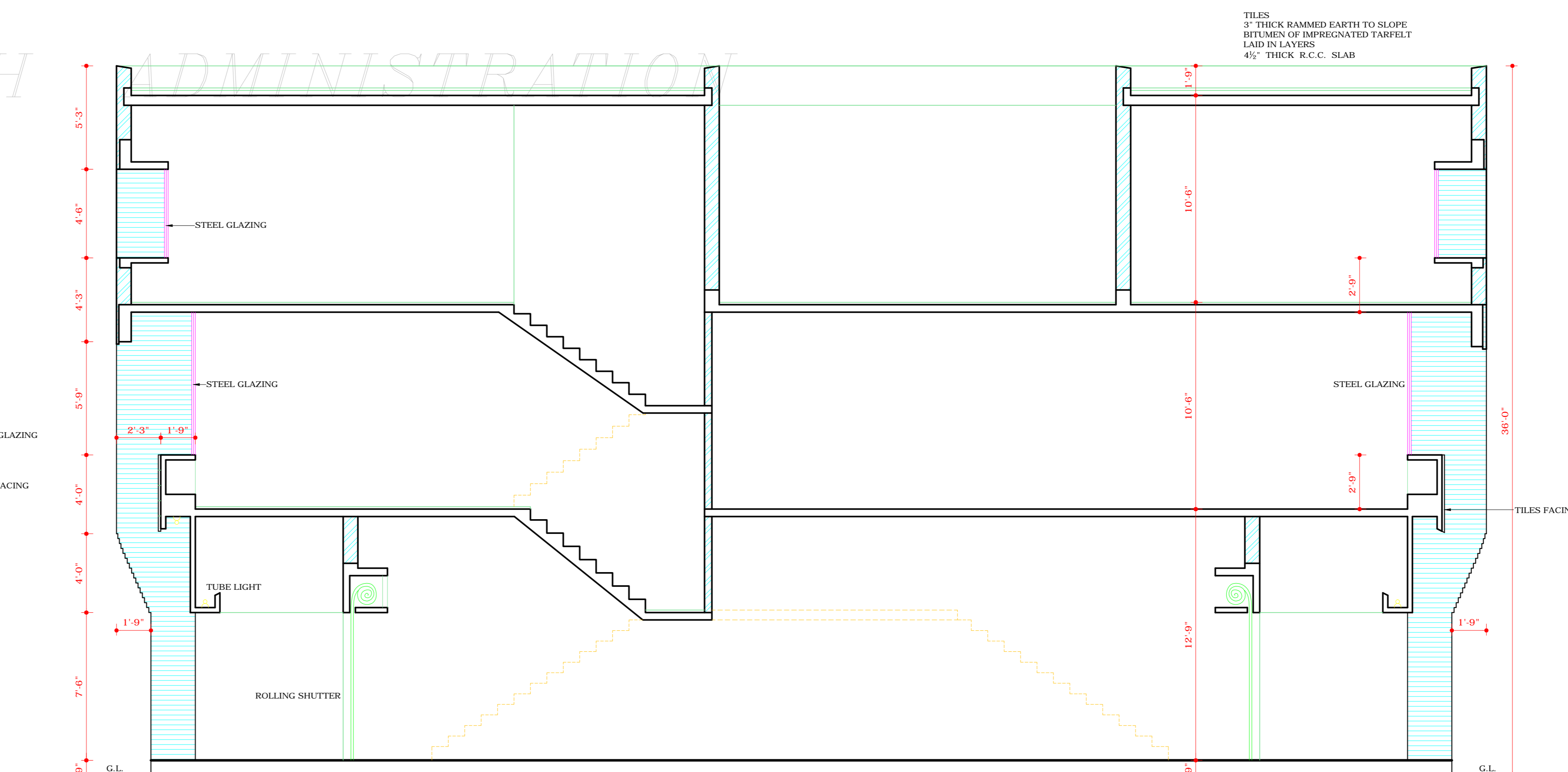
SECTION AT CD



SIDE ELEVATION



FRONT ELEVATION



SECTION AT AB

DISCLAIMER
THOUGH EVERY CARE HAS BEEN TAKEN TO PROVIDE THE CORRECT VERSION OF THE ARCHITECTURAL CONTROL ON THIS DIGITIZED (PDF) FORMAT, YET IN CASE OF ANY DISCREPANCY, THE MASTER COPY OF THE ARCHITECTURAL CONTROL, APPLICABLE ON EACH SUCH SITE, AS AVAILABLE IN THE COMMERCIAL RECORD OF THE OFFICE OF CHIEF ARCHITECT OR HER/HIS INTERPRETATION WILL OVERRULE THE DIGITIZED FORMAT.