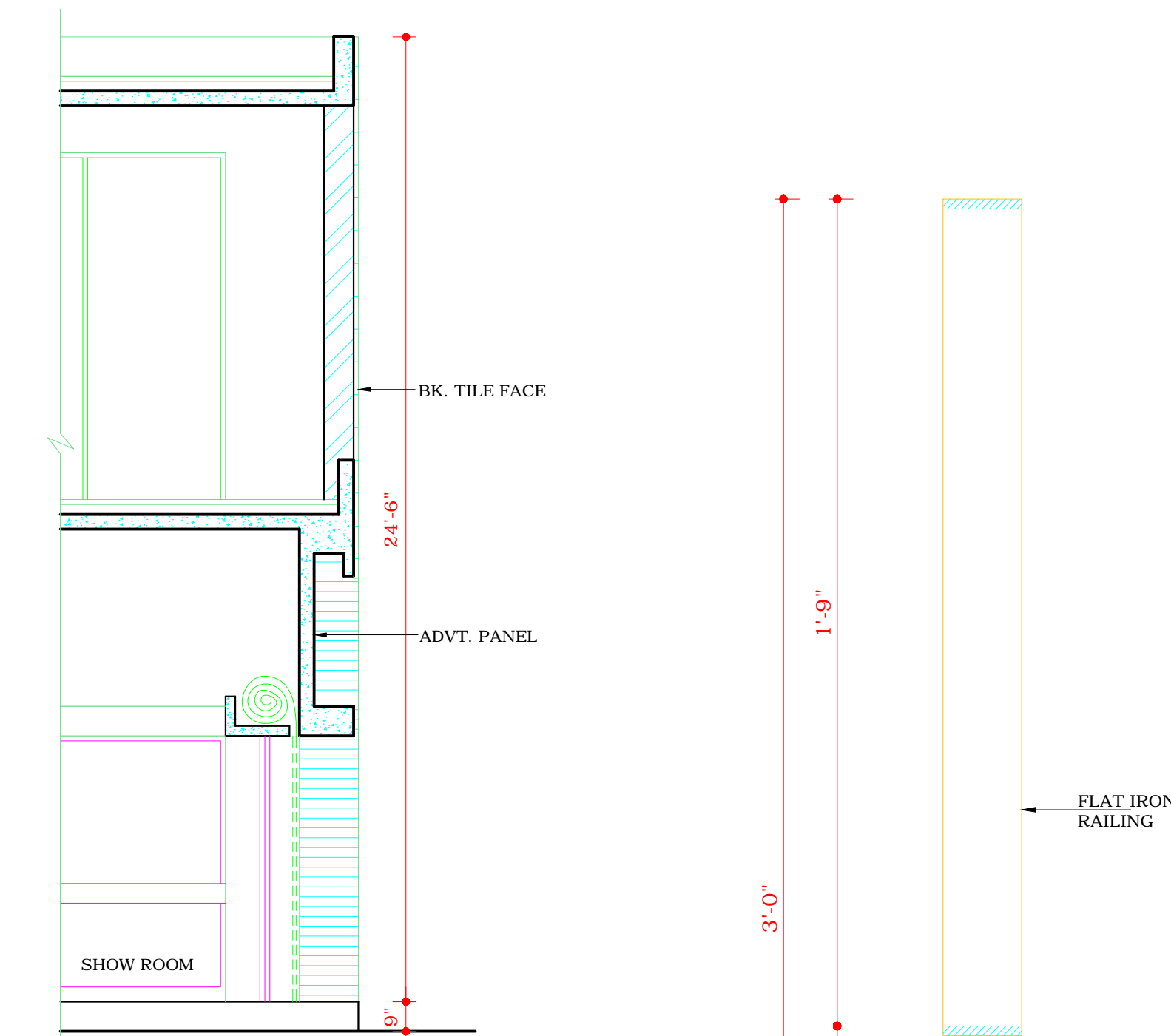
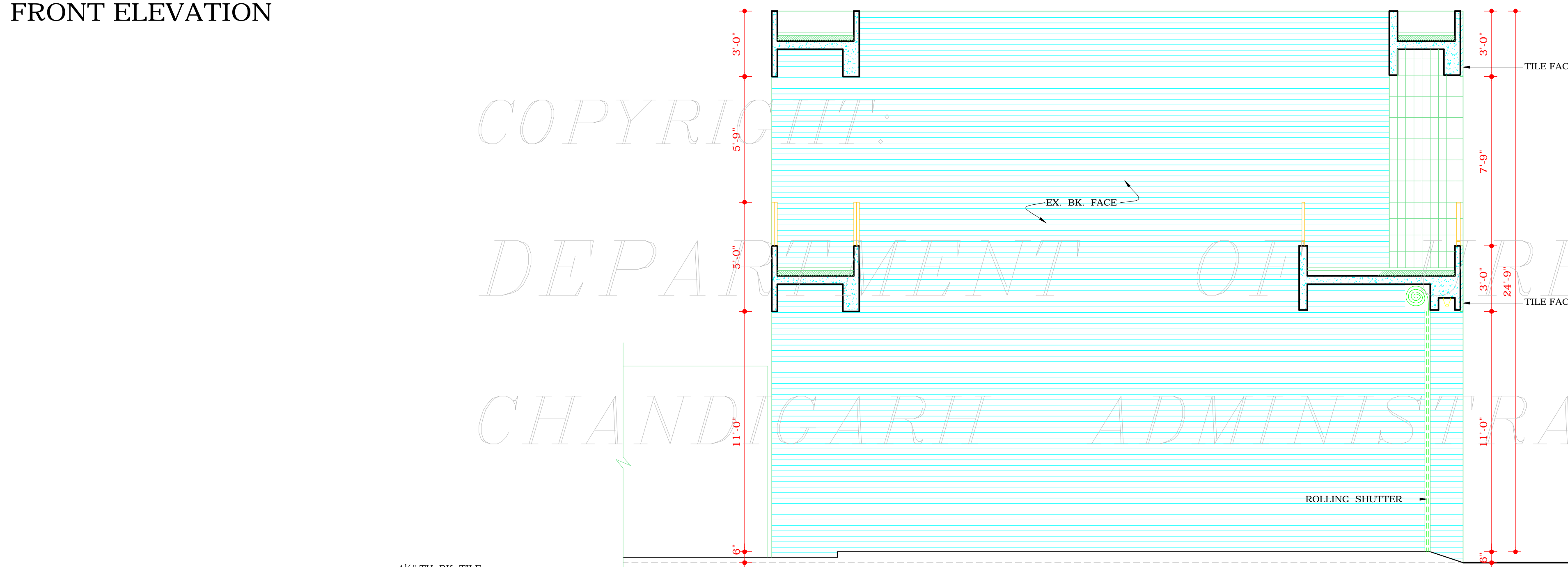


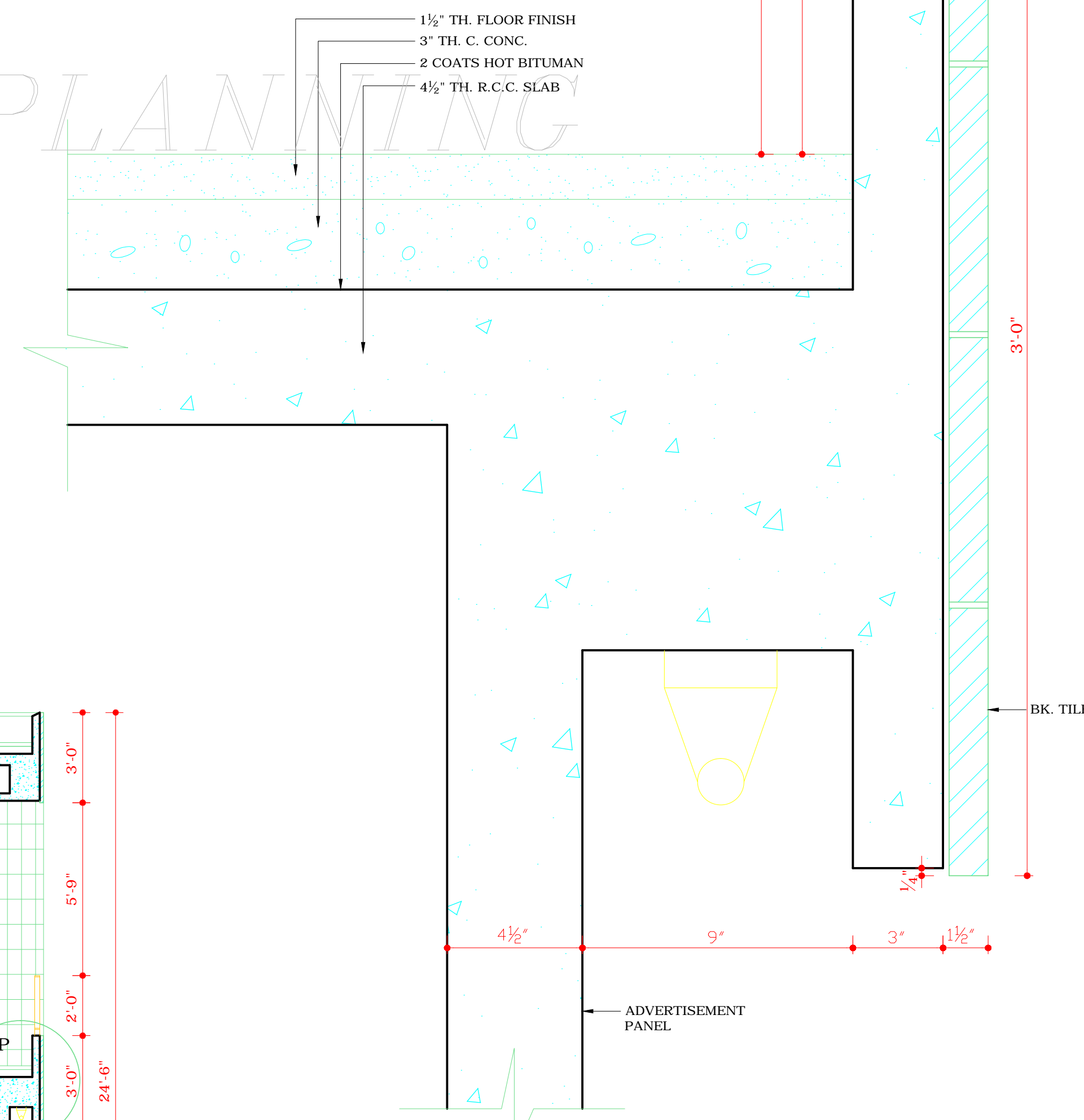
FRONT ELEVATION



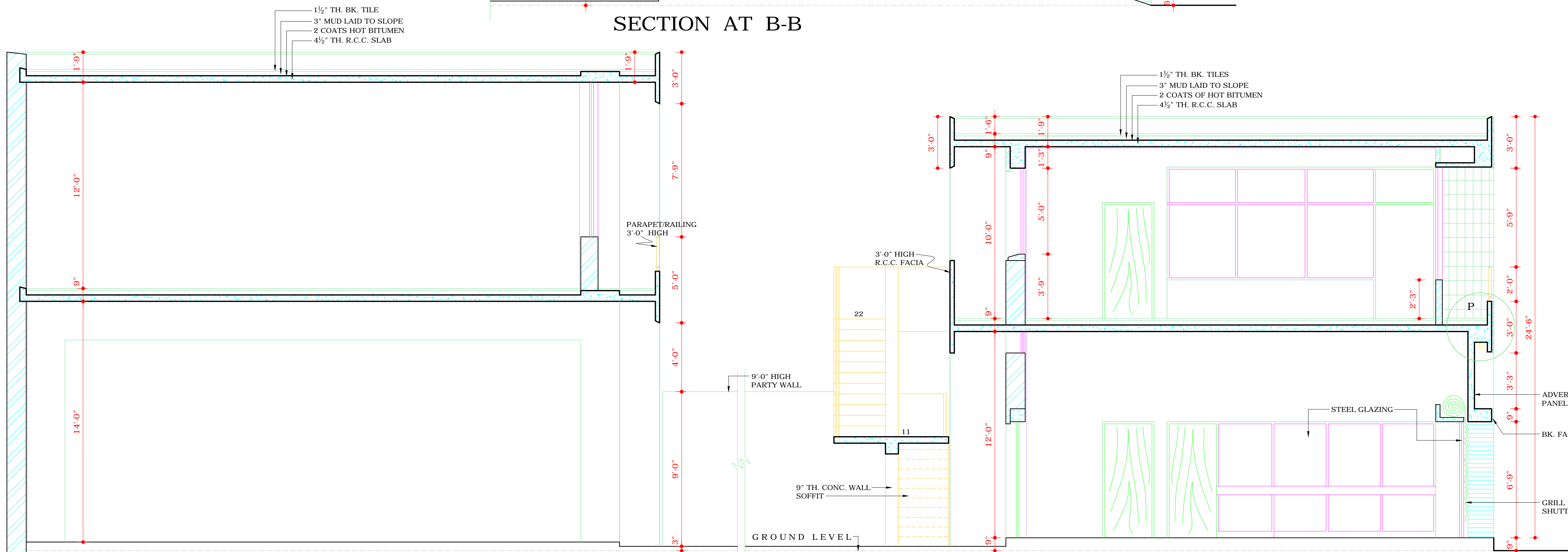
SECTION AT C-C



SECTION AT B-B



1/4 F.S. DETAIL AT P



SECTION AT A-A

S.No. NOTES.

1. THIS DRG. IS THE PROPERTY OF DEPTT. OF URBAN PLANNING U.T. CHD. AND MUST NOT BE ALTERED, COPIED OR USED IN WHOLE OR IN PARTS WITHOUT THE PERMISSION OF THIS DEPTT. IN WRITING.

NOTES:-  
THIS DRAWING HAS BEEN COMPUTERISED ON 15-03-10 FROM DRG. No. 10 JOB No. 494.

S.No. DESCRIPTION SIGN DATE

REVISIONS.

Sd/-  
KARAN AVTAR SINGH  
16.01.02  
CHIEF ADMINISTRATOR

Sd/- SARBJIT SINGH SANDHU  
13/12/2001  
CHIEF ARCHITECT

Sd/-  
RENU SAIGAL  
SENIOR ARCHITECT

ARCHITECT Sd/-  
SANJEEV KUMAR  
ASSTT. ARCHITECT

OFFICE OF THE  
CHIEF ARCHITECT & SECY  
CHANDIGARH. U.T.

SCALE = 4 FEET TO AN INCH & 1/4 F.S. DATE :-

Sd/- KANTA  
DEALT BY: ROMESH MAHAJAN  
CHECKED BY: ROMESH MAHAJAN  
JOB No. 494 DRG. No. 10

REVISED ARCHITECTURAL CONTROLS FOR TWO KANAL WORK SHOP IN INDUSTRIAL AREA TO PROVIDE F.S.I. UPTO 1.00 INSTEAD OF 0.75.

DISCLAIMER  
THOUGH EVERY CARE HAS BEEN TAKEN TO PROVIDE THE CORRECT VERSION OF THE ARCHITECTURAL CONTROL ON THIS DIGITIZED (PDF) FORMAT, YET IN CASE OF ANY DISCREPANCY, THE MASTER COPY OF THE ARCHITECTURAL CONTROL APPLICABLE ON EACH SUCH SITE, AS AVAILABLE IN THE COMMERCIAL RECORD OF THE OFFICE OF CHIEF ARCHITECT OR HER/HIS INTERPRETATION WILL OVERRULE THE DIGITIZED FORMAT.

APPROVAL OF THE CHIEF ADMINISTRATOR RECEIVED VIDE HIS OFFICE MEMO No. 21/1/169-UTFI (3)-2001/671 DATED 24-01-2002

SECTIONS & ELEVATION