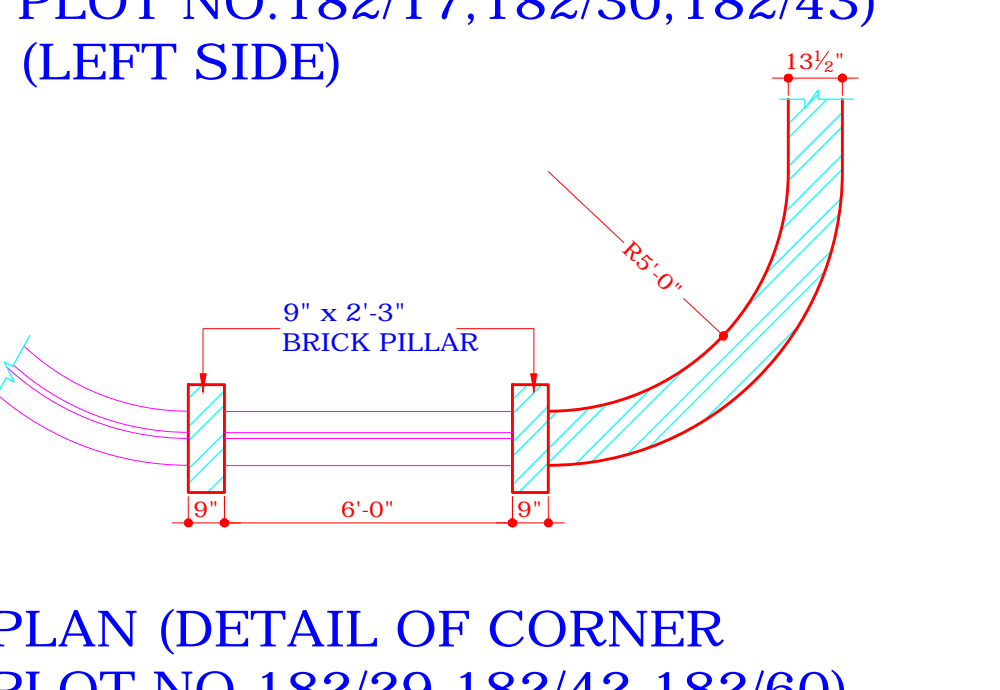
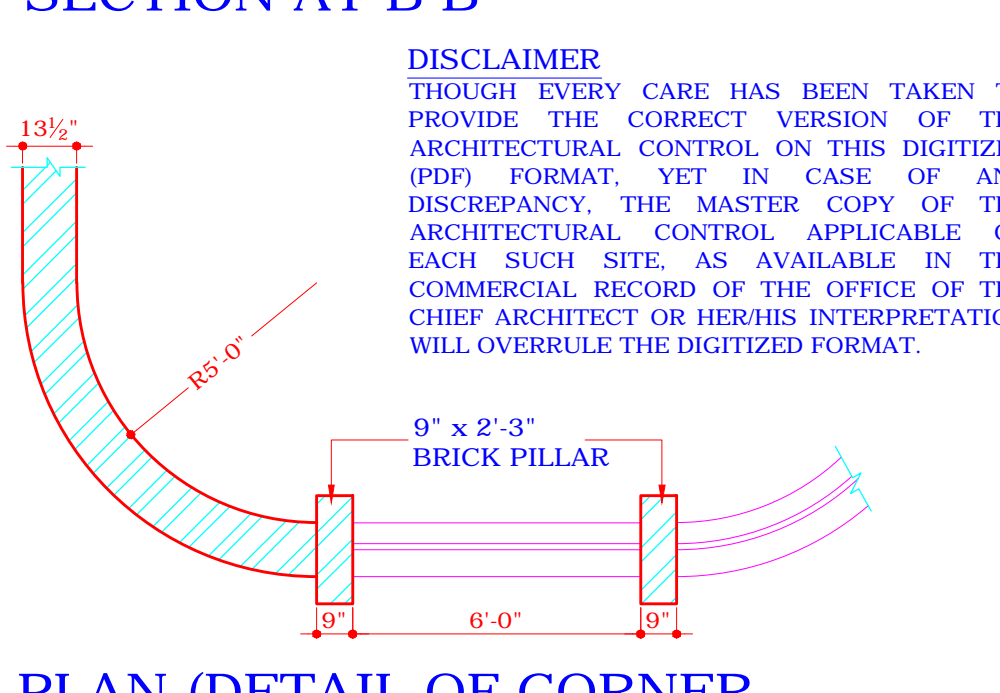
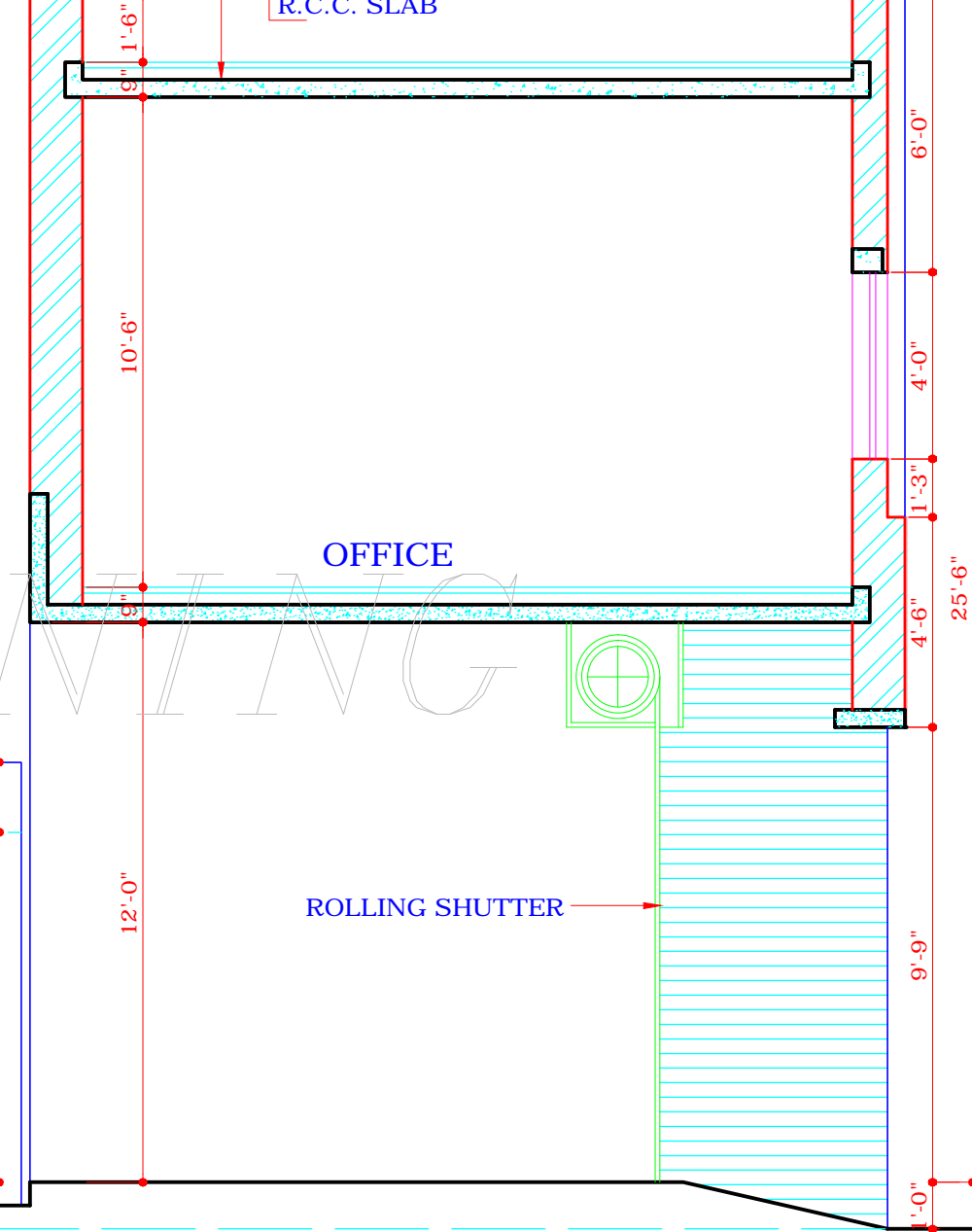
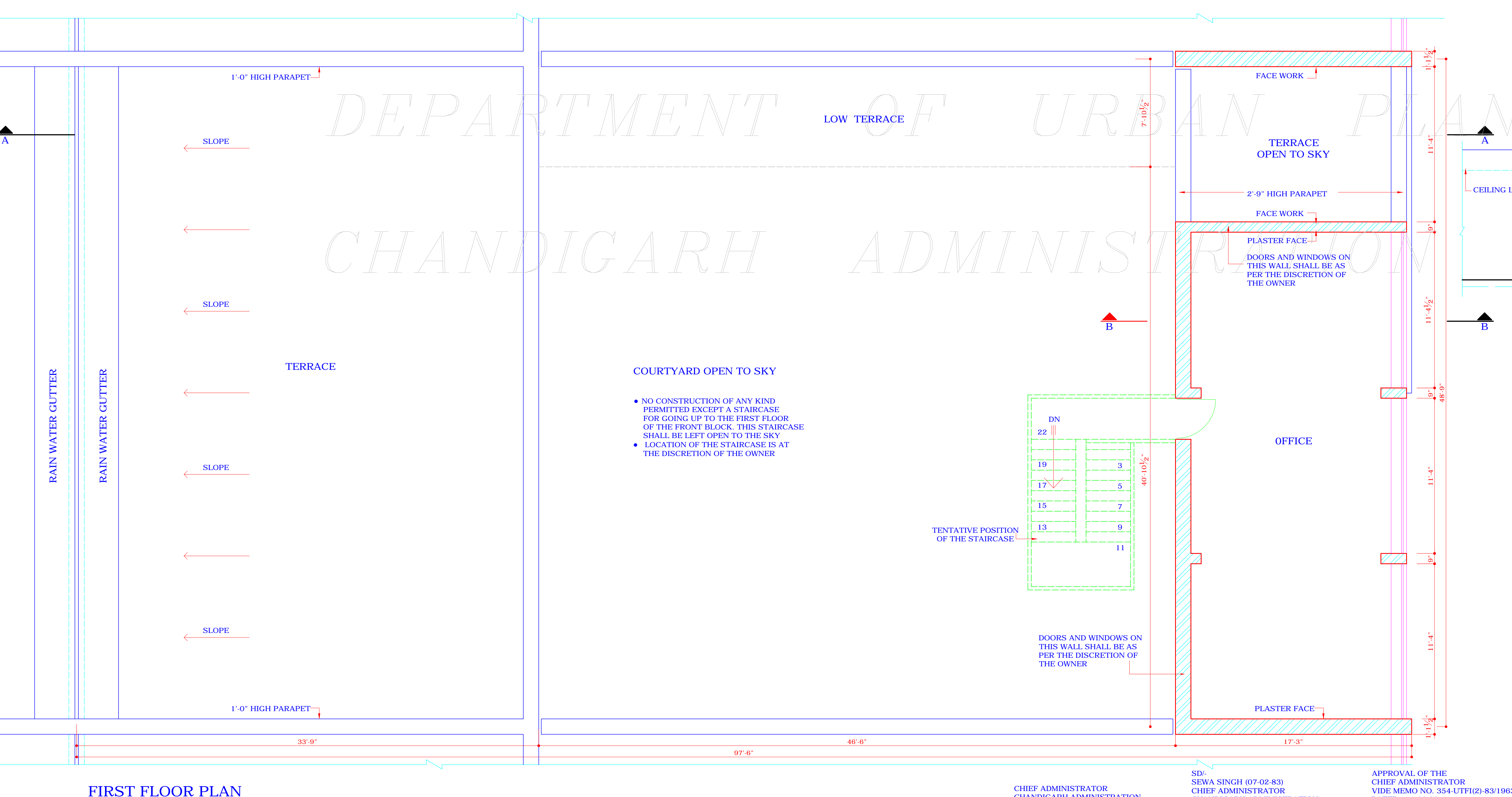
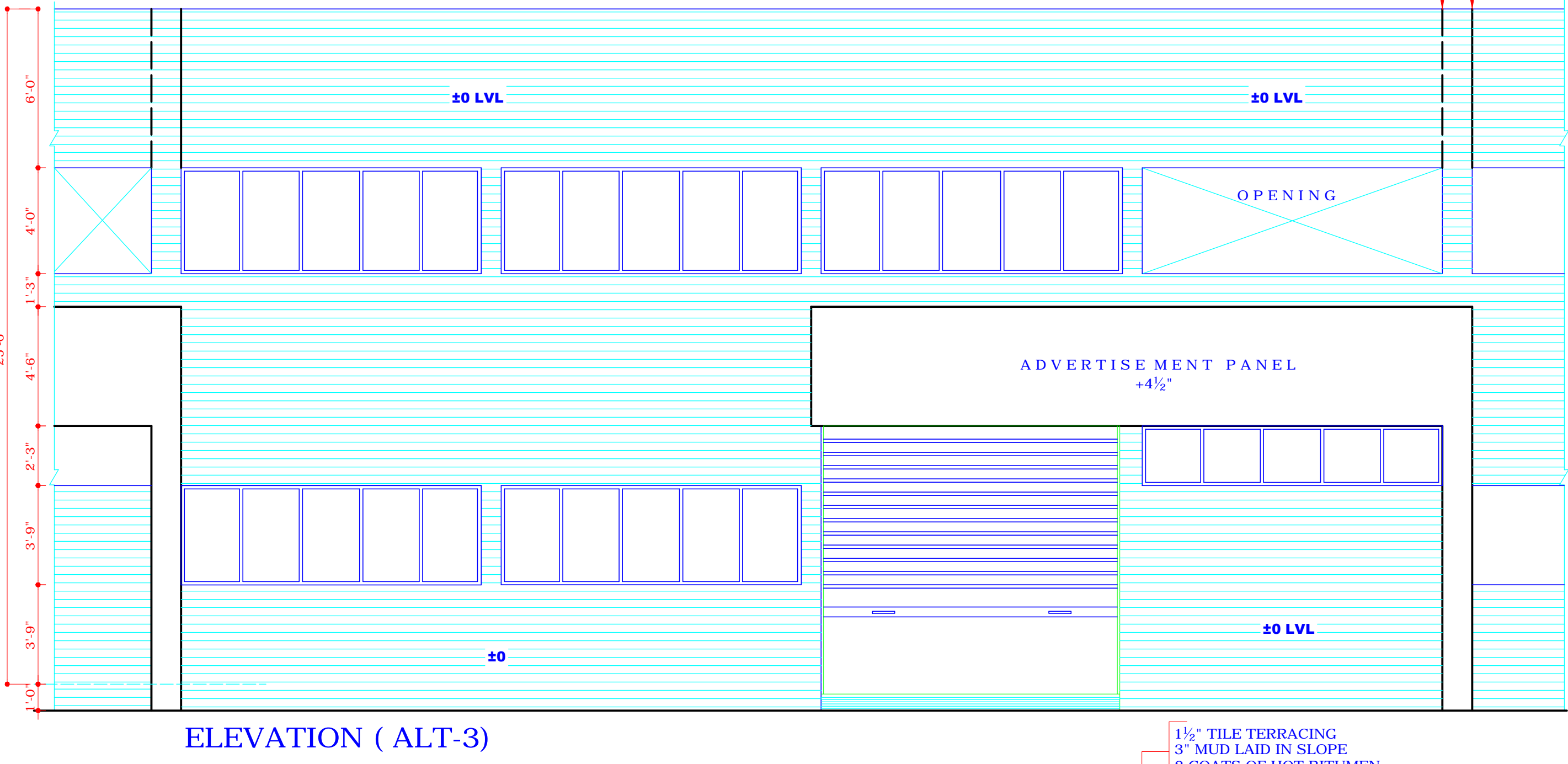
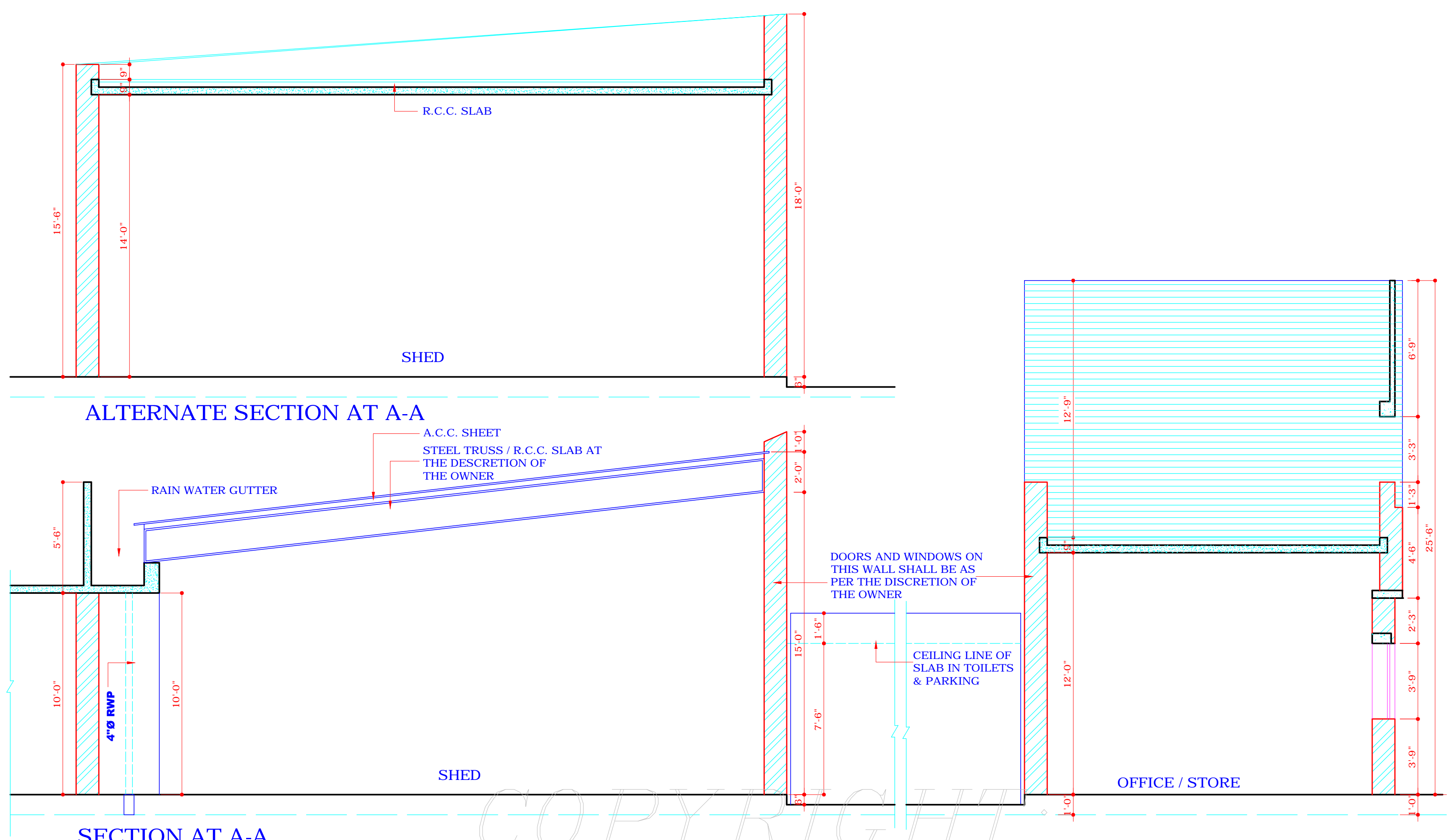


DEPARTMENT OF
URBAN PLANNING
CHANDIGARH ADMN.



| S.NO. | NOTES |
|-------|--|
| 19. | CONST. OF FRONT BLOCK COMPRISING OF OFFICE, ENTRANCE AND STORE/FACE IS COMPULSORY. THE BALANCE SHALL BE PERMITTED TO BE CONSTRUCTED IN PHASES AS PER CONVENIENCE OF OWNER. |
| 20. | FOR ADDITIONAL COVERAGE THE CONSTRUCTION OF FIRST FLOOR IS ALLOWED SUBJECT TO THE SUBMISSION OF A CERTIFICATE TO THE ADMINISTRATOR FROM A QUALIFIED AND REGISTERED STRUCTURAL ENGINEER CERTIFYING THE FEASIBILITY OF THE EXISTING STRUCTURE FOR TAKING ADDITIONAL LOADS OF THE PROPOSED CONSTRUCTION. |
| 21. | INCREASE IN FSI FROM 0.60 TO 0.75 IS ALLOWED TO THE PLOT HOLDERS WHO WERE CHARGED RS.35/- PER SQ. YD. TOWARDS THE COST OF THE PLOT WHEREAS THIS FACILITY SHALL BE EXTENDED TO THE OTHER PLOT HOLDERS SUBJECT TO MAKING THE PAYMENT FOR THE DIFFERENCE IN THE COST TO MAKE AT RS.35/- PER SQ. YD. BEFORE THE SUBMISSION OF DRAWINGS TO ESTATE OFFICER FOR SANCTION. |
| 22. | THESE DRAWINGS BEARING NO. AS 2 & 3 OF JOB NO.811 SUPERCEEDS DRG. NO.1 OF JOB NO.811 WITH FSI 0.60. |
| 23. | THIS DRAWING SHOULD BE READ ALONG WITH DRG. NO.2 OF JOB NO.811. |

NOTE
THIS COMPUTER DRAWING IS BASED UPON ORIGINAL DRG. NO.3 JOB NO.811
ATTESTED
(SANJEEV KUMAR)(03-03-06)
ARCHITECT

TO REMOVE AMBIGUITY REGARDING THE CONSTRUCTION OF ROOF WITH RCC SLAB. (ALTERNATIVE DESIGN PROVIDED IN THE ARCHITECTURAL CONTROL) A SECTION ALREADY APPLICABLE TO INDUSTRIAL SHEDS OF SIMILAR SIZE/DESIGN (DRG. NO.4 JOB NO.494) HAS BEEN ADDED TO SPECIFY THE HEIGHT AT WHICH THE RCC SLAB IS TO BE LAID.

| S.NO. | DESCRIPTION | SIGN | DATE |
|---|----------------|---|------|
| REVISIONS | | | |
| SD/- (SURJIT SINGH) CHIEF ARCHITECT | | | |
| SD/- (V.P. ARORA) SENIOR ARCHITECT | | | |
| SD/- (S.K. MIDHA) ARCHITECT | | SD/- (P.S. SACHDEVA) ASST. ARCHITECT | |
| OFFICE OF THE CHIEF ARCHITECT, U.T., CHANDIGARH | | | |
| SCALE: 1/4" = 1'-0" | | DATE: 20.05.2005 | |
| DRAWN BY | JOB NO. 811 | DRG. NO. 3 | |
| CHECKED BY | | | |
| ARCHITECTURAL CONTROL FOR ONE KANAL PLOT 97'-6" x 48'-9" IND. AREA, PH-I & II CHD. WITH F.S.I. 0.75 INSTEAD OF 0.60 | | | |
| FIRST FLOOR PLAN, ELEVATION AND SECTIONS | | | |

CHIEF ADMINISTRATOR
CHANDIGARH ADMINISTRATION

SD/- SEWA SINGH (07-02-83)
CHIEF ADMINISTRATOR
CHANDIGARH ADMINISTRATION

APPROVAL OF THE
CHIEF ADMINISTRATOR
VIDE MEMO NO. 354-UT/1(2)-83/1963
DATED: 11-02-83

APPROVAL OF THE
CHIEF ADMINISTRATOR CONVEYED
VIDE MEMO NO. 89938-UT/1(2)-82/19299
DATED: 15-12-82

SD/- SEWA SINGH (27-11-82)
CHIEF ADMINISTRATOR
CHANDIGARH ADMINISTRATION