

S.No. NOTES :-

1. THIS DRAWING IS TO BE READ IN CONJUNCTION WITH DRG. NO. 2 OF JOB NO. 2087
2. STEEL GATE SHOULD BE PAINTED BLACK (SYNTHETIC ENAMEL).
3. THIS DRG. SHALL BE APPLICABLE FOR FUTURE CONSTRUCTION OF BOUNDARY WALL AND GATE.

NOTE:- THIS DRAWING HAS BEEN COMPUTERISED ON 27-08-10 FROM DRG. No. 4 JOB No. 2087

APPROVAL OF THE CHIEF ADMINISTRATOR RECEIVED VIDE NO. 762 - UTFI (4) -90/1748 DATED 27.2.90.

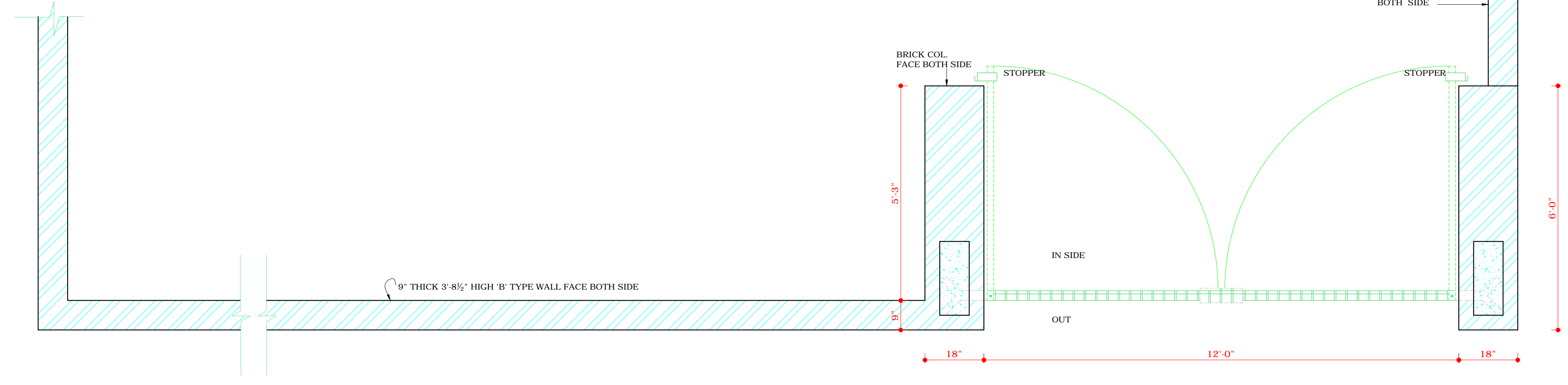
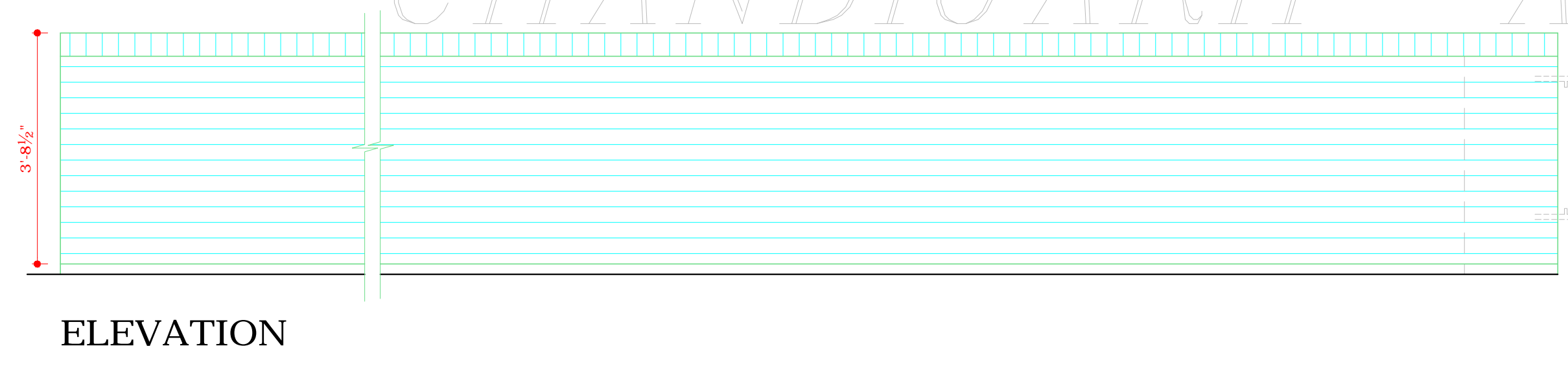
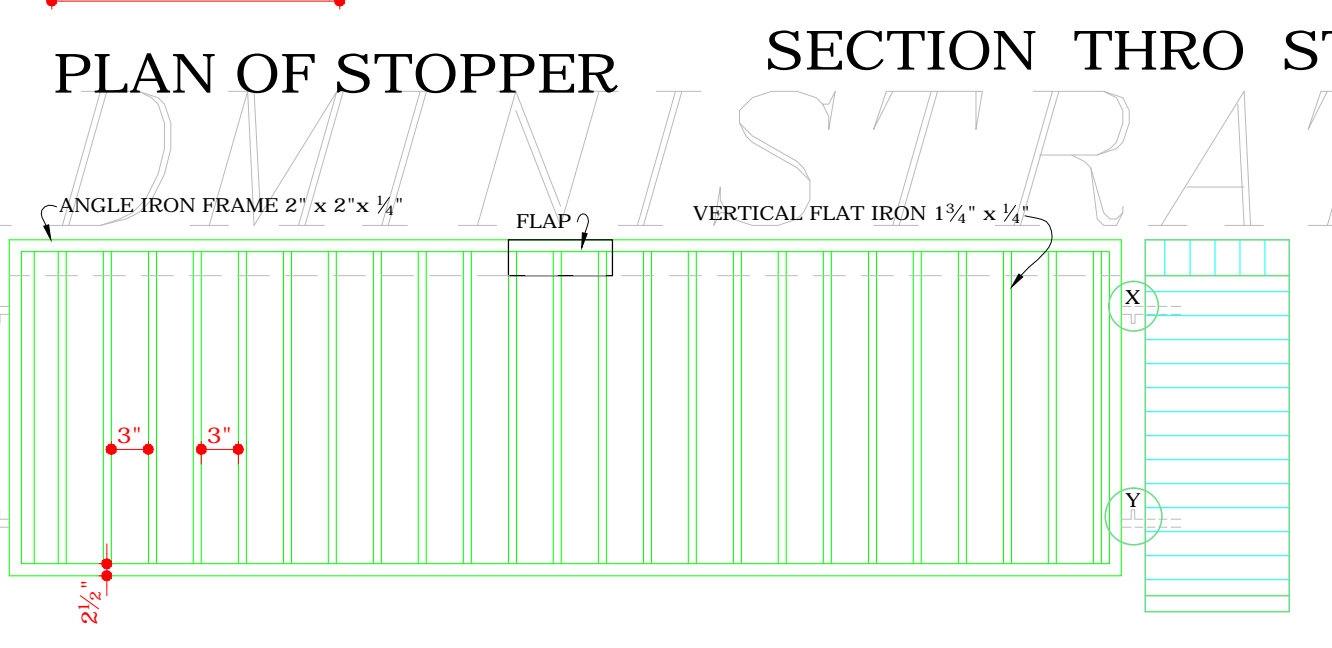
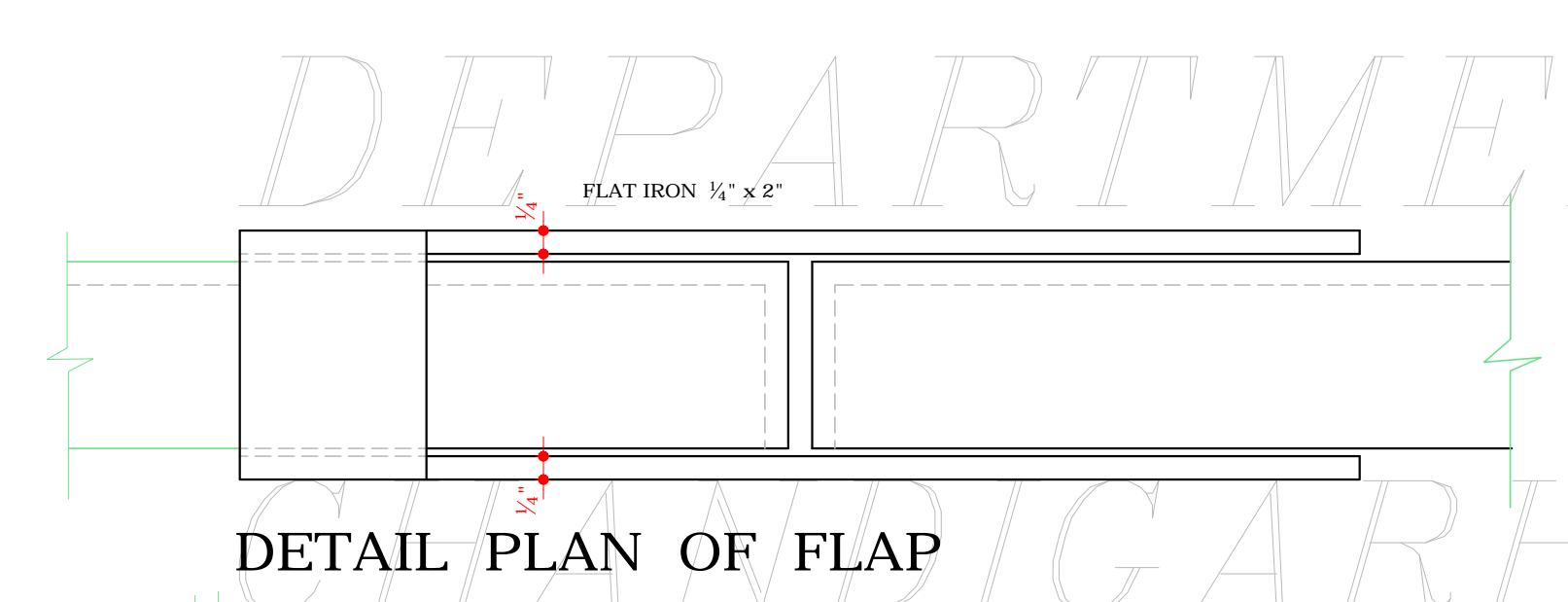
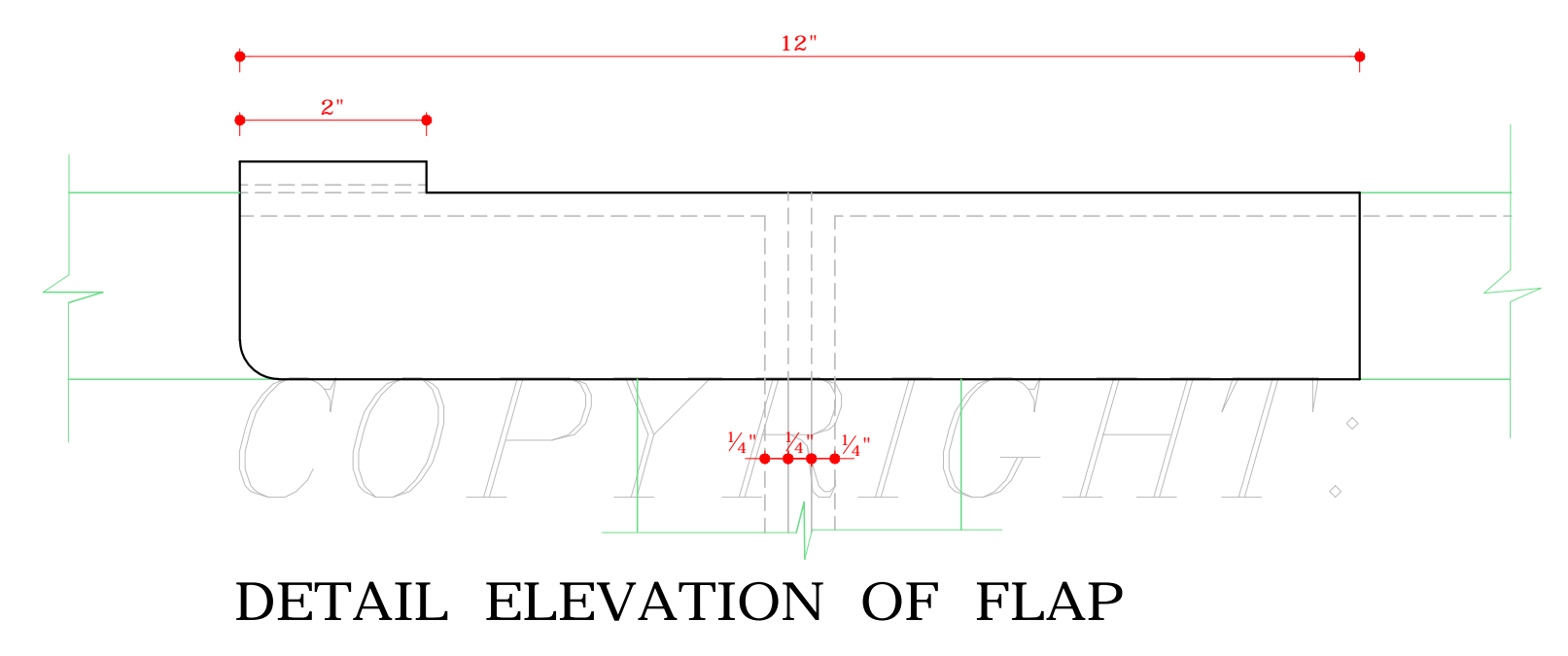
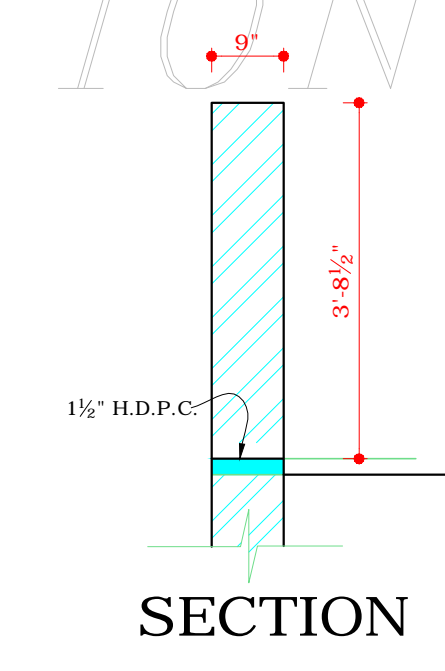
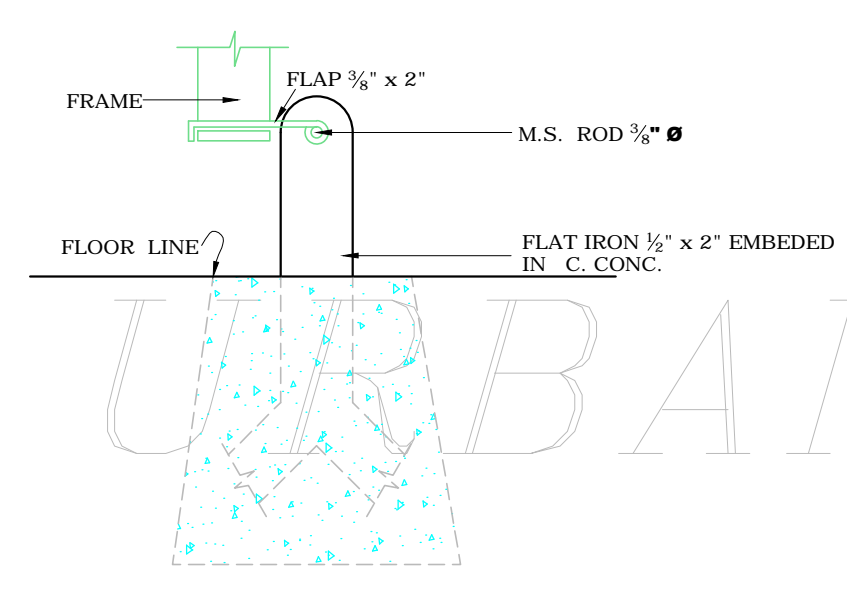
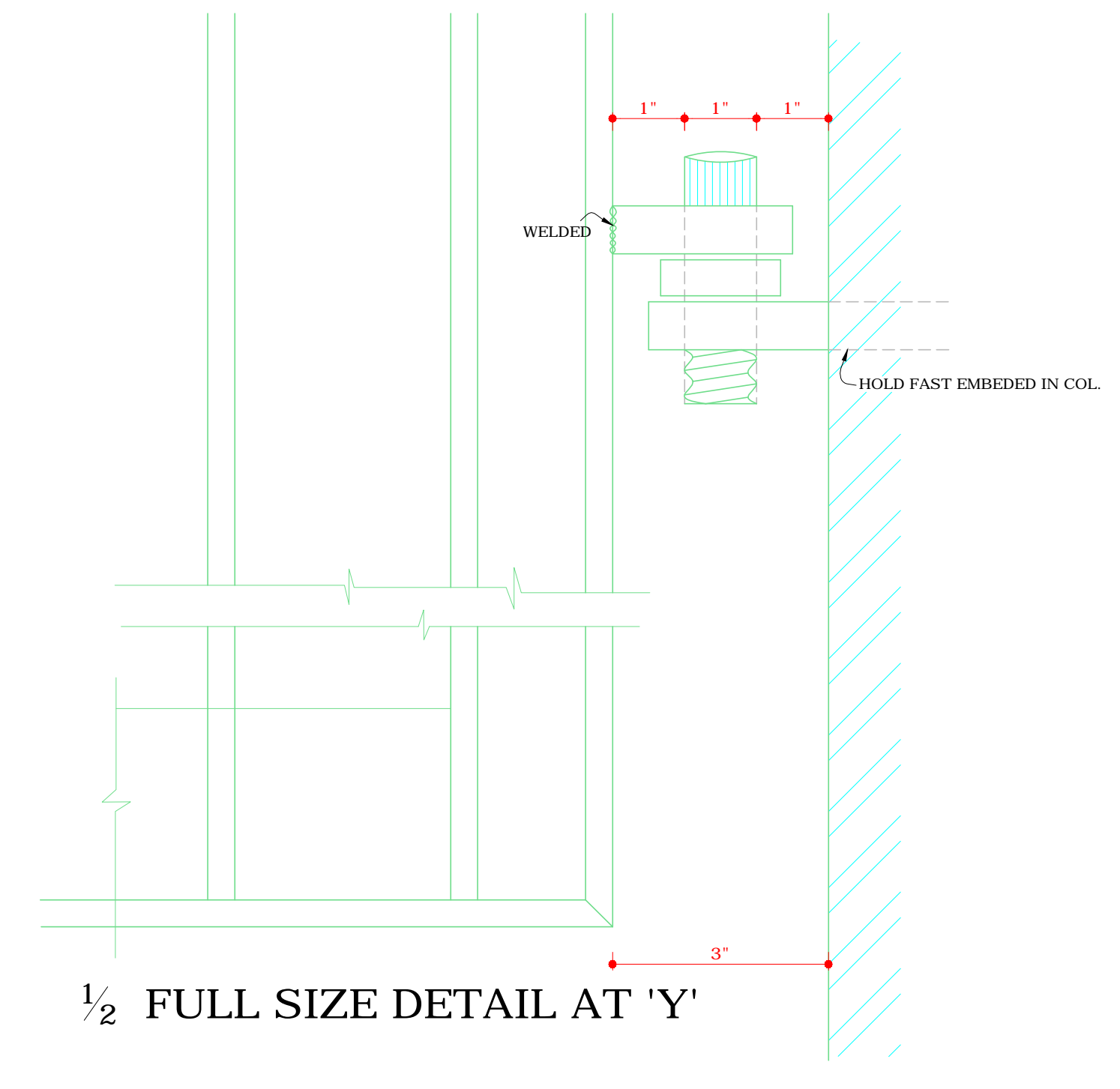
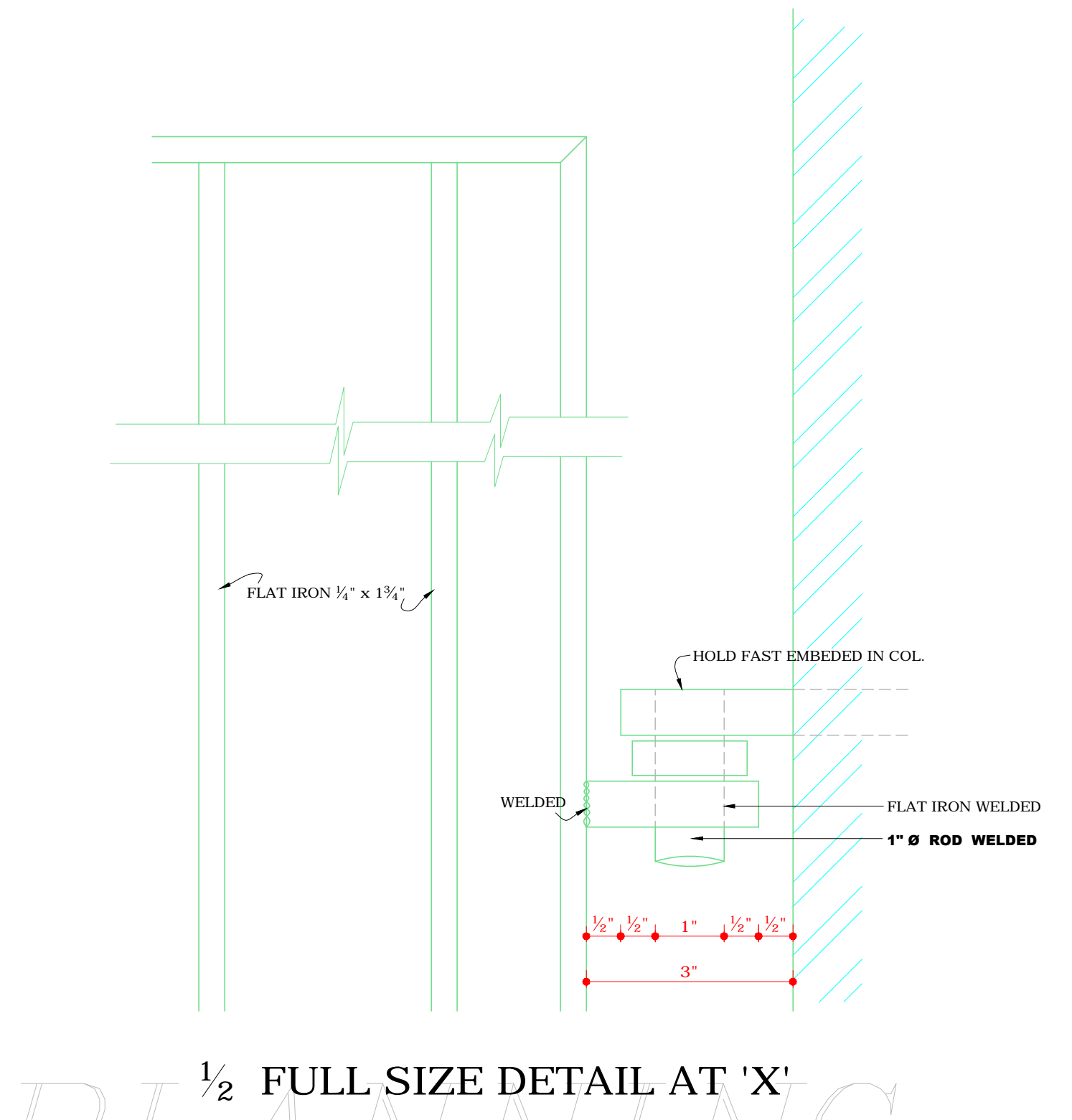
S.No. REVISION DATED

Sd/- O.P. MEHTA 5.2.90 CHIEF ARCHITECT.	Sd/- S.K. MIDHA 5.2.90 SENIOR ARCHITECT.
Sd/- 2.2.90 ARCHITECT.	Sd/- BHUPINDER SURI 2.2.90 ASSTT. ARCHITECT.

OFFICE OF THE CHIEF ARCHITECT CHANDIGARH

DATED	SCALE :- 1/2" INCH TO FOOT	
DRAWN BY Sd/- GURCHARN	JOB No. 2087	DRG. No. 4
CHECKED BY		

KEROSENE RETAIL OUT LET (STANDARD DESIGN)
DETAIL OF GATE AND BOUNDARY WALL



DISCLAIMER
THOUGH EVERY CARE HAS BEEN TAKEN TO PROVIDE THE CORRECT VERSION OF THE ARCHITECTURAL CONTROL ON THIS DIGITIZED (PDF) FORMAT, YET IN CASE OF ANY DISCREPANCY, THE MASTER COPY OF THE ARCHITECTURAL CONTROL APPLICABLE ON EACH SUCH SITE, AS AVAILABLE IN THE COMMERCIAL RECORD OF THE OFFICE OF CHIEF ARCHITECT OR HER/HIS INTERPRETATION WILL OVERRULE THE DIGITIZED FORMAT.

CHIEF ADMINISTRATOR
CHANDIGARH ADMINISTRATION