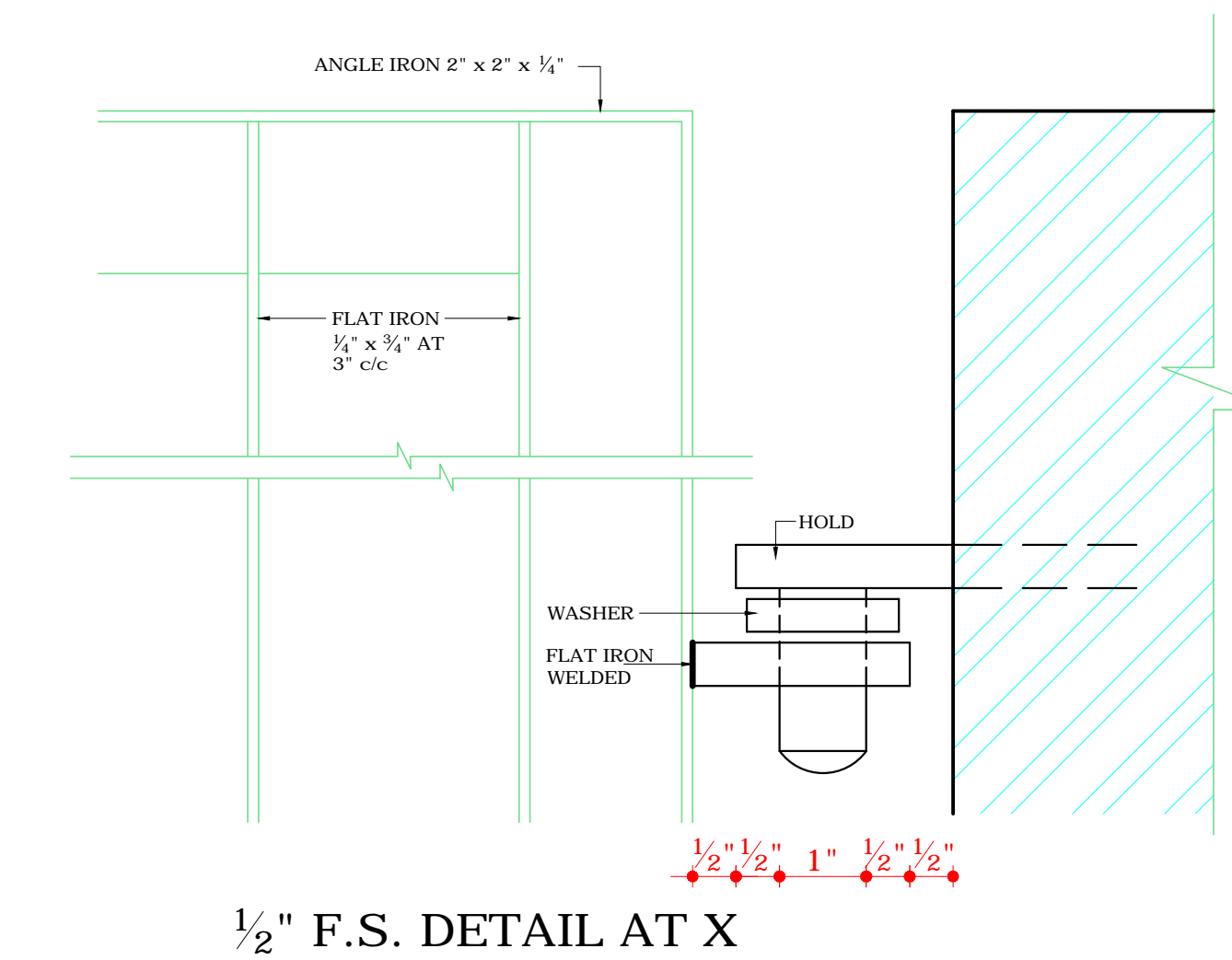
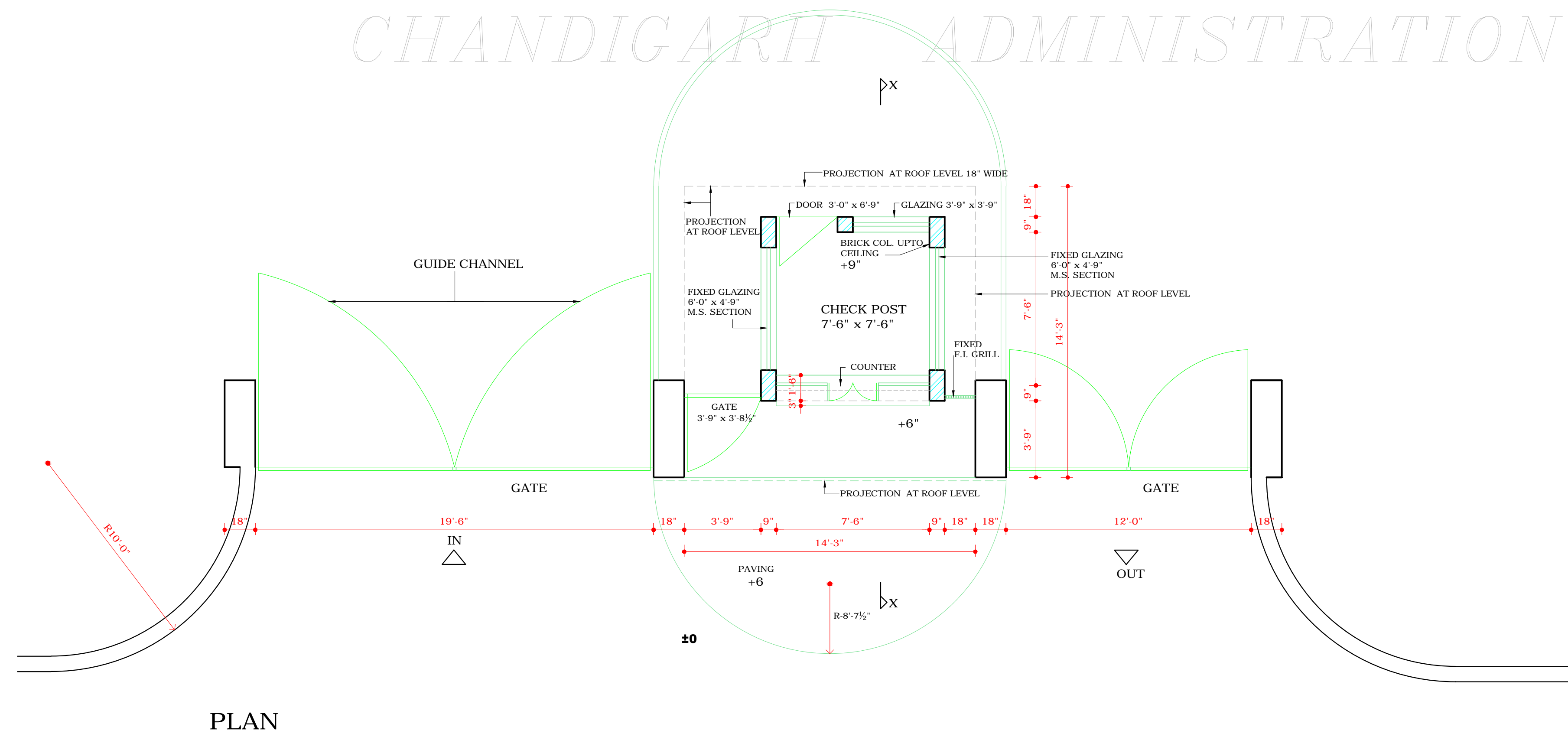
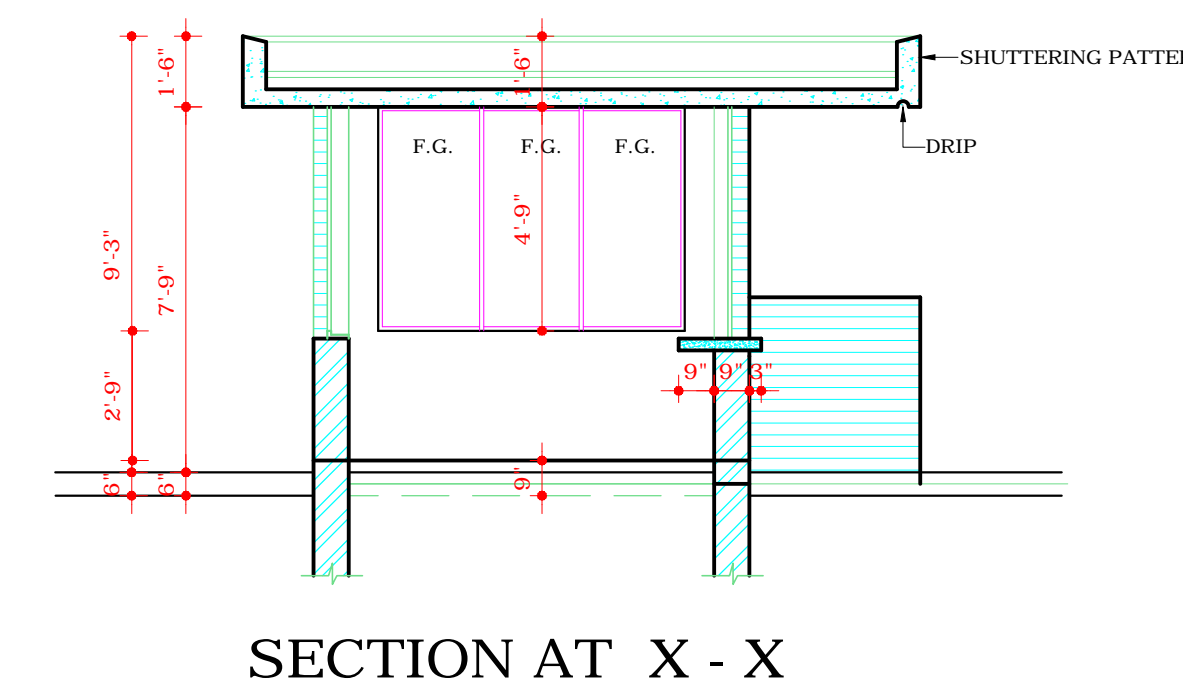


COPYRIGHT:
DEPARTMENT OF URBAN PLANNING
CHANDIGARH ADMINISTRATION



- | S.No | NOTES |
|------|--|
| 1. | THIS DRG. IS THE PROPERTY OF DEPTT. OF URBAN PLANNING, U.T. CHANDIGARH AND MUST NOT BE ALTERED, COPIED OR USED IN WHOLE OR IN PART WITHOUT THE PERMISSION OF THIS DEPTT. IN WRITING. |
| 2. | IN CASE OF ANY DISCREPENCY CONCERNED ARCHITECT MUST BE CONSULTED. |
| 3. | BK. FACE SHALL BE FINISHED WITH DEEP MORTAR JOINTS ON WHICH NO POINTING SHALL BE PROVIDED. |
| 4. | NO BASEMENT IS ALLOWED BELOW THE CHECK POST. |
| 5. | GATE TO BE PAINTED BLACK. |
| 6. | THIS ARCHITECTURAL CONTROL IS OPTIONAL TO SITE No. 1 TO 22 ON JAN MARG SECTOR - 9 & 17 AND HIMALAYA PATH SECTOR - 17 |

NOTE:- THIS DRAWING IS THE COMPUTERISED REPRODUCTION OF ORIGINAL DRG. No. 228 JOB No. 501 DATED: 07.01.09

SNo.	DESCRIPTION
REVISIONS	
Sd/- S.K. MIDHA 23.3.98 CHIEF ARCHITECT	Sd/- 10-3-98 SENIOR ARCHITECT
Sd/- BALWINDER SAINI 12.3.98 ARCHITECT	Sd/- RASHMI GUPTA 10.3.98 ASSTT.Architect
OFFICE OF THE CHIEF ARCHITECT & SECY. CHANDIGARH. U.T.	
SCALE:- 1/4" = 1'-0"	
DATE :	
UMESH KAPOOR DEALT BY	JOB NO. 501
	DRG NO. 228
CHECKED	
ARCHITECTURAL CONTROL FOR CHECK-POST, BOUNDARY WALL, GATE POST, WICKET GATE, ETC. FOR THE JAN MARG SECTOR - 9 & 17 AND HIMALAYA PATH SECTOR -17	
PLAN, ELEVATIONS & SECTION.	

DISCLAIMER
THOUGH EVERY CARE HAS BEEN TAKEN TO PROVIDE THE CORRECT VERSION OF THE ARCHITECTURAL CONTROL ON THIS DIGITIZED (PDF) FORMAT, YET IN CASE OF ANY DISCREPANCY, THE MASTER COPY OF THE ARCHITECTURAL CONTROL APPLICABLE ON EACH SUCH SITE, AS AVAILABLE IN THE COMMERCIAL RECORD OF THE OFFICE OF CHIEF ARCHITECT OR HER/HIS INTERPRETATION WILL OVERRULE THE DIGITIZED FORMAT.

APPROVAL OF THE FINANCE SECRETARY / CHIEF ADMINISTRATOR RECEIVED VIDE HIS OFFICE MEMO. No. UTFI (5) - 98 / 7083. DATED : 21.05.98

Sd/- N.S. KANG
CHIEF ADMINISTRATOR
CHANDIGARH ADMINISTRATION